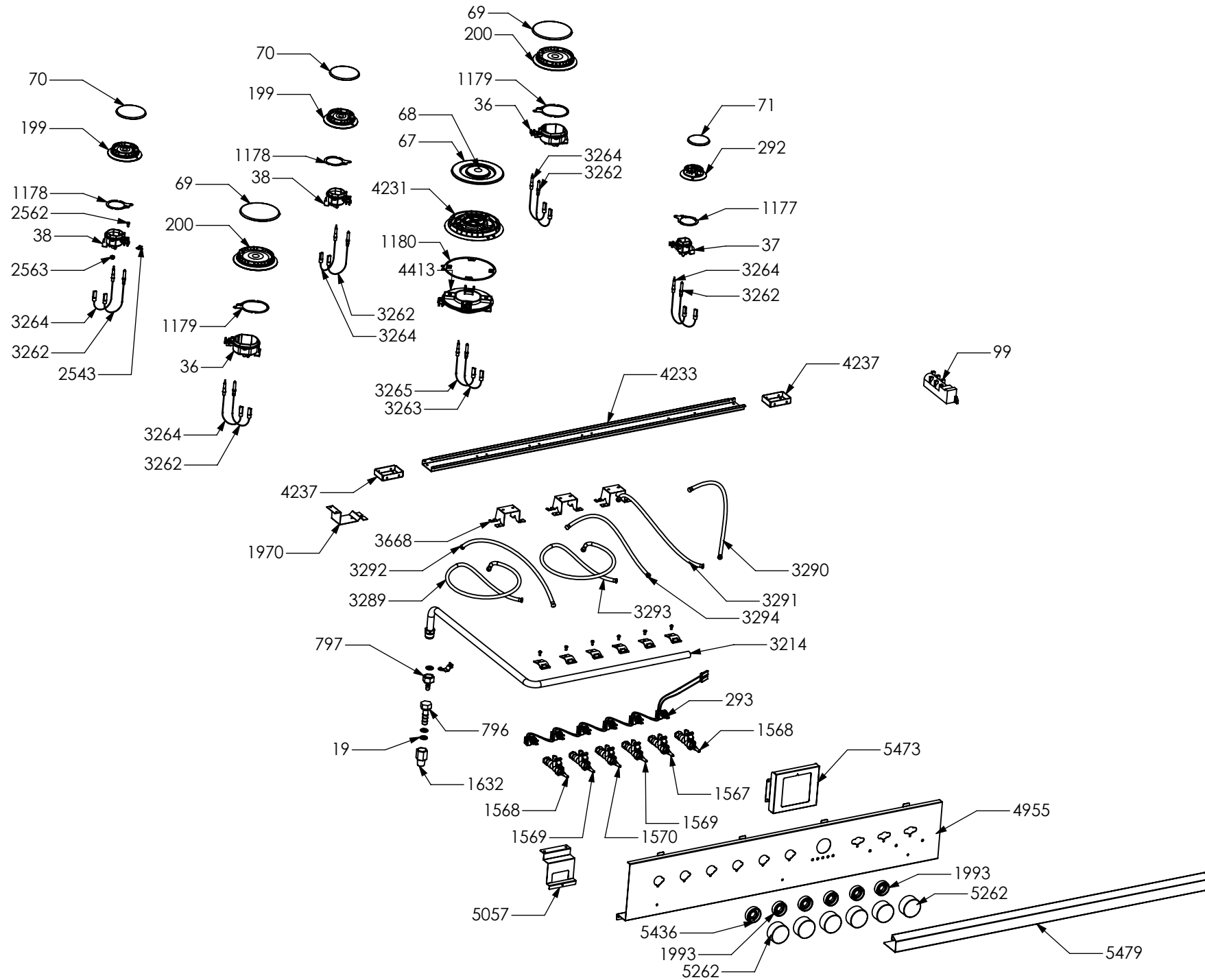


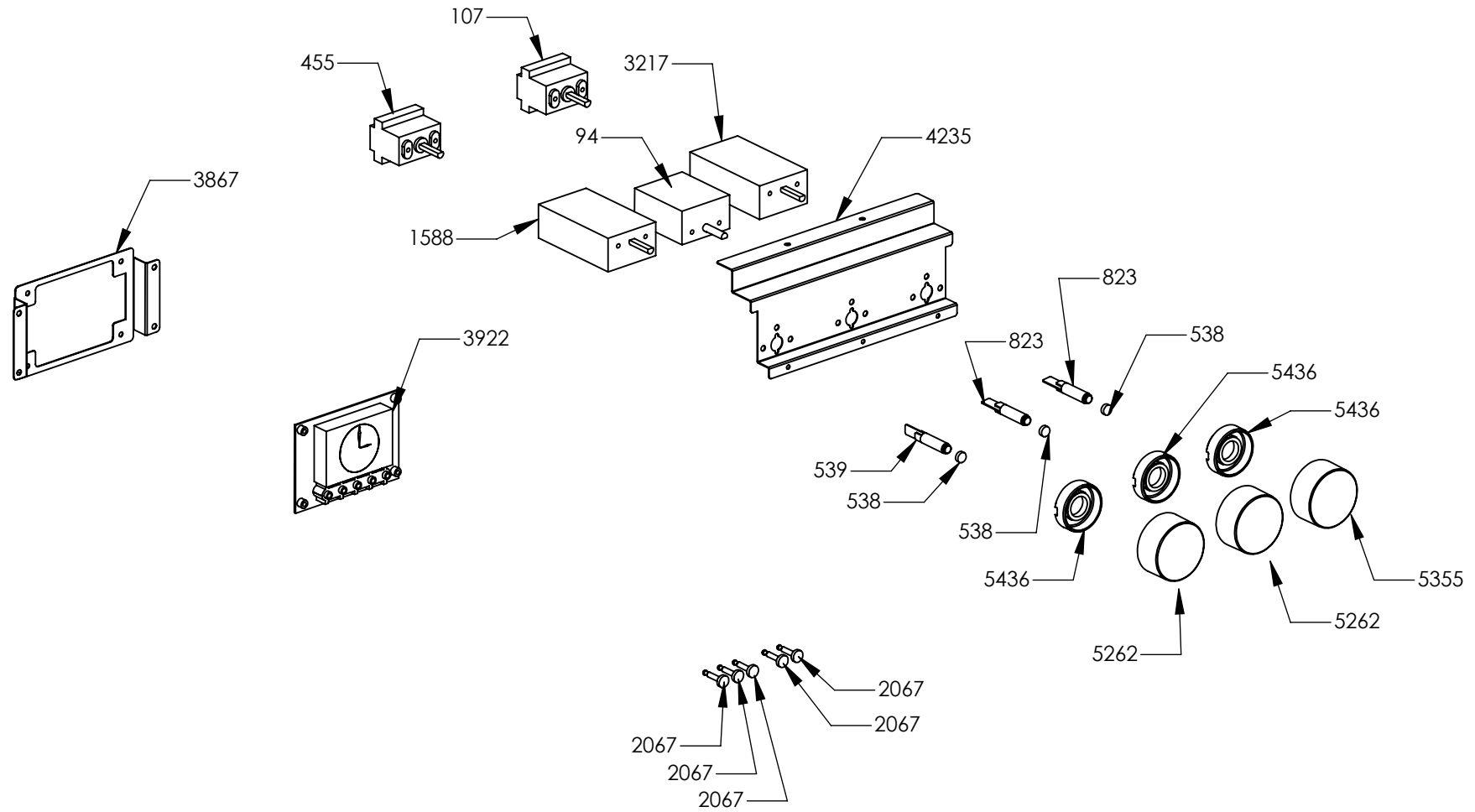
N° Object	Code	Description	Qty
1014	ZS2026	Thermostat TY60 N.O. fixing B	1
1441	ZS2665	Support for fan timelag device	1
1901	ZS2700	Cast-iron grid 2 burners Prt / Drb	3
1957	ZS3495	Washer 4.3 x 10 x 3	4
1996	ZS3171	Blocking plate hob-side Party	2
4493	ZS7032	Complete cooktop 6 burners for cooker 100 double oven	1



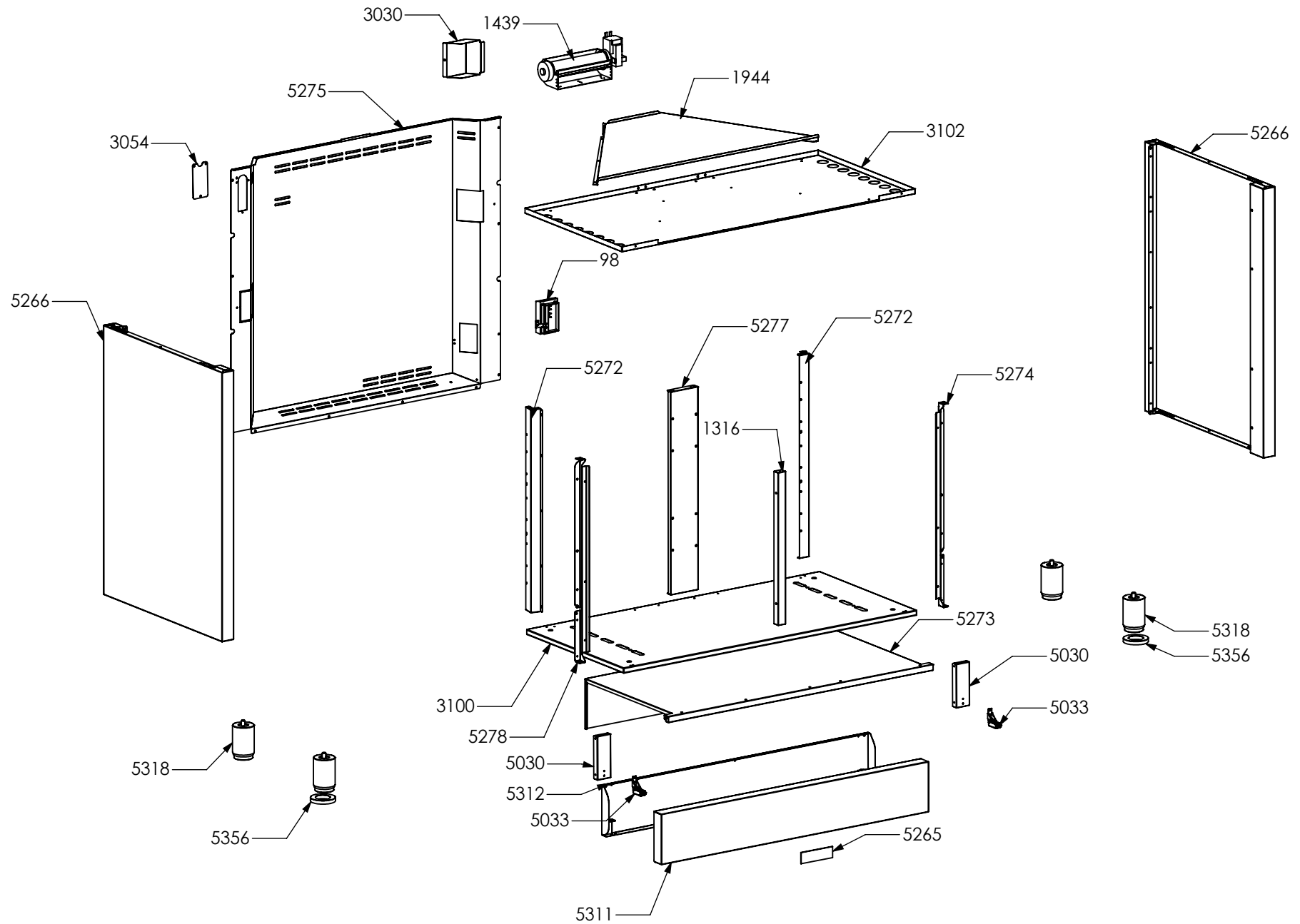
**Cucina Adagio O10FF-6 SS Lancellotti G25/25 230/50 NL**

LARC10FF-6SS

N° Object	Code	Description	Qty	N° Object	Code	Description	Qty
19	400689	Gasket gas inlet	3	2543	601229	Spring fixing spark plug for triple ring P-4	6
36	414157	Rapid burner body G25 1,21	2	2562	506037	Screw M3x8 TC s.steel	14
37	414158	Auxiliary burner body G25 0,72	1	2563	ZS0907	Fixing nut for themocouple	6
38	414159	Semi rapid burner body G25 0,94 (fish-kettle G20)	2	2575	505241	Screw M4	6
48	421323	Gas taps fixing bridle M60	6	3214	ZS3116	Ramp 6 burners FE cooker 90 Party	1
67	440400	Plate triple-crown burner	1	3262	ZS5270	Burner spark plug Cast	5
68	440401	Plate central triple-crown burner	1	3263	ZS5271	Triple ring burner spark plug Cast	1
69	440403	Plate rapid burner	2	3264	ZS5272	Thermocouple Cast L=750	5
70	440404	Plate semi-rapid burner	2	3265	ZS5273	Thermocouple Cast L=750 TC 3.3	1
71	440405	Plate auxiliary burner	1	3289	ZS5349	Pipe ramp for front left rapid burner cooker 90 Party	1
99	481918	Ignition system 6 flames	1	3290	ZS5350	Pipe ramp for rear right rapid burner cooker 90 Party	1
199	ZS0275	Semi-rapid burner flame spreader	2	3291	ZS5351	Pipe ramp for front right semi-rapid burner cooker 90 Party	1
200	ZS0276	Rapid burner flame spreader	2	3292	ZS5352	Pipe ramp for rear left semi-rapid burner cooker 90 Part	1
292	ZS0577	Auxiliary burner flame spreader	1	3293	ZS5353	Pipe ramp for central triple ring burner cooker 90 Party	1
293	ZS0578	Micro catenary for 6 burners	1	3294	ZS5354	Pipe ramp for central triple ring burner cooker 90 Party	1
796	410610	Pipe holder (G20)IT	1	3668	ZS5778	Ramp fixing support 90/100 Prt / Drb	3
797	410645	Pipe holder (G30)	1	4231	ZS6433	Triple ring burner flame spreader 3.5	1
1177	ZS2217	Gasket for auxiliary burner	1	4233	ZS6611	Support bar taps ramp cooker 100	1
1178	ZS2218	Gasket for semi-rapid burner	2	4237	ZS6695	Clamp support for ramp 5 burners Party	2
1179	ZS2219	Gasket for rapid burner	2	4413	ZS6430	Triple ring burner body 3.5 G25 1,50 H5	1
1180	ZS2220	Gasket for triple ring burner	1	4711	ZS6772	Clamp support for main ramp	1
1567	ZS2923	Valved tap for auxiliary burner (bypass 0,27)	1	4955	GR8480	Assembly control panel front 5 burners electric oven Drb 90 S.Steel serygr.	1
1568	ZS2924	Valved tap for rapid/fish-kettle burner	2	5473	ZS8278	Display support	1
1569	ZS2925	Valved tap for semi-rapid burner	2	5057	ZS7833	Clamp support for control panel cooker Party	1
1570	ZS2926	Valved tap for triple-ring burner	1	5262	ZS8311	Neutral knob ADG	6
1632	ZS3021	Adapter female-male 1/2 BSP 04	1	5436	ZS8802	Bezel cooker 196 xxl with hole	1
1970	ZS3656	Rear ramp fixing support cooker 90 Party	1	5479	ZS8364	Frontal bar profile top 90 polished	1
1993	405508	Bezel cooker 196 xxl	5				



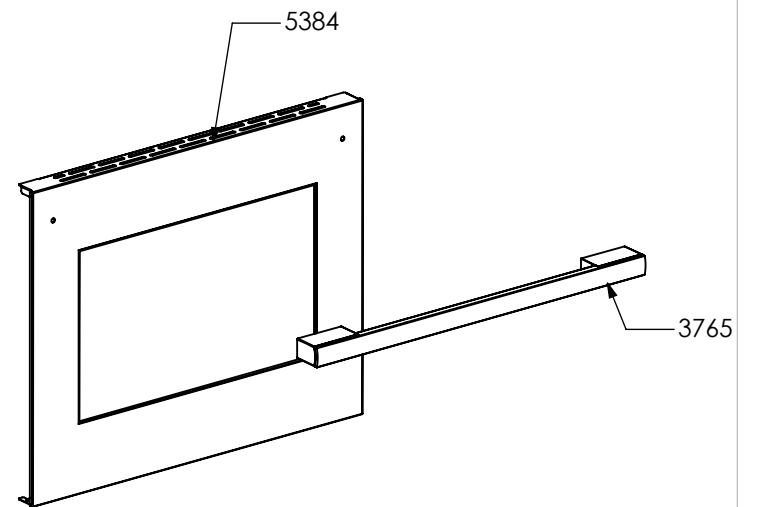
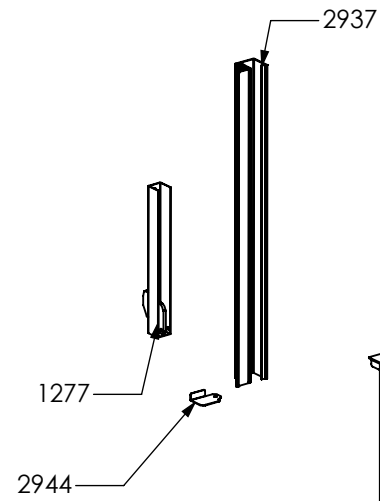
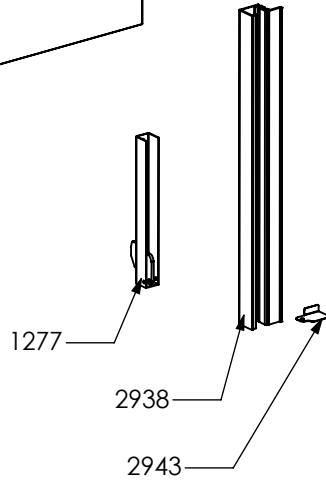
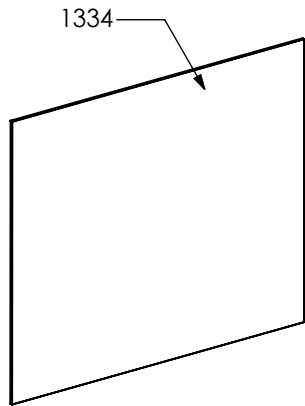
N° Object	Code	Description	Qty
94	481814	Commutator multif. for 90 built-in oven(no pizza)	1
107	482120	Thermostat cooker 192	1
455	ZS1075	Thermostat for built-in oven	1
538	ZS1204	Led transparent	3
539	ZS1205	Fluorescent green warning light	1
823	ZS1755	Fluorescent orange warning light	2
1588	ZS2889	Commutator oven functions 90 EGO	1
2067	ZS3785	Knob for timer gray	5
3217	ZS4568	Commutator oven functions 30 EGO	1
3867	ZS6012	Electrical display support	1
3922	ZS6184	Timer (white led) LCD-ELA 1000	1
4235	ZS6613	Clamp support for commutator cooker Party	1
5262	ZS8311	Neutral knob ADG	2
5355	ZS8569	Neutral knob ADG with "L"	1
5436	ZS8802	Bezel cooker 196 xxl with hole	3



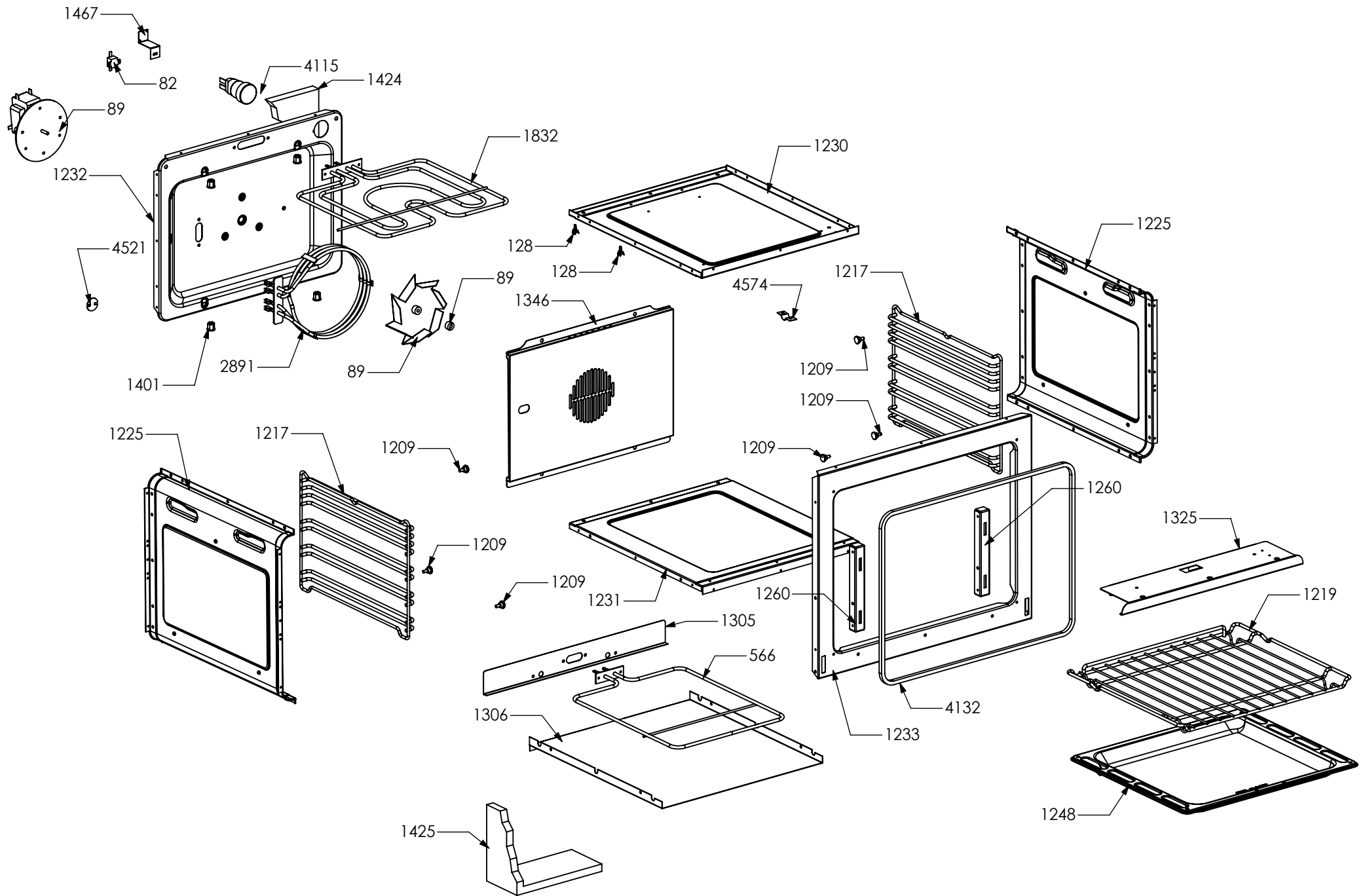
N° Object	Code	Description	Qty
98	481913	Terminal board for oven 32 PA 233	1
1316	ZS2474	Front central muffle support cooker 100/120 double oven	1
1439	ZS2663	Cooling fan L=180 Plaset (AU)	1
1944	ZS2719	Air conveyor for cooktop 090/100 Prb/Drb	1
3030	ZS3312	Blocking plate hob-side Party	1
3054	ZS5128	Ramp hole closing plate	1
3100	ZS2746	Lower guard for cooker 100 double oven Party	1
3102	ZS2749	Muffle fan guard cooker 100 double oven Prt / Drb	1
5030	ZS7491	hinge support 100 Prt/ Drb	2
5033	ZS7657	Door hinge for drawer door	2
5265	ZS8327	"Lancellotti" plate	1
5266	ZS8337	Side external right/left higher ADG S.STEEL	2
5272	ZS8346	Rear support for muffle left/right side cooker 100 double oven	2
5273	ZS8347	Upper guard for drawer 90	1
5274	ZS8348	Front support for muffle R/L side 100/120 double oven cooker	1
5275	ZS8349	Rear guard for cooker 100 double oven Prt / Drb	1
5277	ZS8361	Rear support for muffle left/right side cooker 100 double oven	1
5278	ZS8362	Front support for muffle R/L side 100/120 double oven cooker	1
5311	ZS8459	Drawer door cooker 90 Drb s.steel	1
5312	ZS8460	Counterdoor drawer cooker 90	1
5318	ZS8477	Adjustable feet H100/150 inox ADG	4
5356	ZS8574	Ring for feet	2



4981



N° Object	Code	Description	Qty
4981	GR8658	Assembly glued oven door 90 Adg	1
2937	GR4313	Assembly door 30/60/90 right bar profile 07	1
2938	GR4314	Assembly door 30/60/90 left bar profile 07	1
1334	ZS2308	Inner glass oven door 60	1
1277	ZS2414	Door hinge for oven 60 G	2
2943	ZS4746	Right support for inner glass	1
2944	ZS4747	Left support for inner glass	1
3765	ZS6090	Door oven handle for oven 60 BOSCH	1
5384	ZS8665	Glued external oven door 60/100 double oven	1



N° Object	Code	Description	Qty	N° Object	Code	Description	Qty
82	481403	Thermoswitch 16 Ampere	1				
89	481727	Circular tangential oven 90 fan (AU) with fan and nut	1				
128	601152	Spring fixing feeler for built-in oven	2				
566	ZS7590	Lower heating element for oven 60 (1200W/230V)	1				
1209	414559	Lateral frame support for built-in oven	6				
1217	ZS2283	Oven lateral frame 30/60/90	2				
1219	ZS2286	Chromed wire grid for oven 60	1				
1225	ZS2312	Side muffle oven 30/60/90 enamelled 04	2				
1230	ZS2322	Enamelled muffle ceiling oven 60	1				
1231	ZS2324	Enamelled muffle bottom for oven 60	1				
1232	GR2326	Assembly rear muffle oven 60/100 enamelled 04	1				
1401	ZS2585	Tapping screw M5 aluminium	4				
1233	ZS2328	Enamelled muffle front side oven 60	1				
1248	ZS2364	Enamelled drip tray for oven 60	1				
1260	ZS2395	Hinge support 06	2				
1305	ZS2456	Lower heating elem.support oven 60 double oven 04	1				
1306	ZS2459	Lower heating element tray oven 60 04	1				
1325	ZS2496	Grill heating element support for muffle oven 60 enamelled 04	1				
1346	ZS2484	Fan cover for oven 60 with turnspit hole BLACK	1				
1424	ZS2629	White glass wool for rear side 60 oven 04	1				
1425	ZS2632	White glass wool for 60 oven 04	1				
1467	ZS2604	Support for safety thermostat 04	1				
1832	482094	Grill heating element for oven 60 (1900+850W)	1				
2891	482589	Circular heating element 230V-2100W	1				
4115	ZS6631	Compete Lamp-holder for oven (max 25 W)	1				
4132	ZS6541	Gasket oven 60 H=8.9 mat HT	1				
4521	ZS7088	Support for right top-base connection	1				
4574	ZS6005	Fixing support for turnspit motor oven 60/90	1				

4980

1224

2937  
1276  
2944

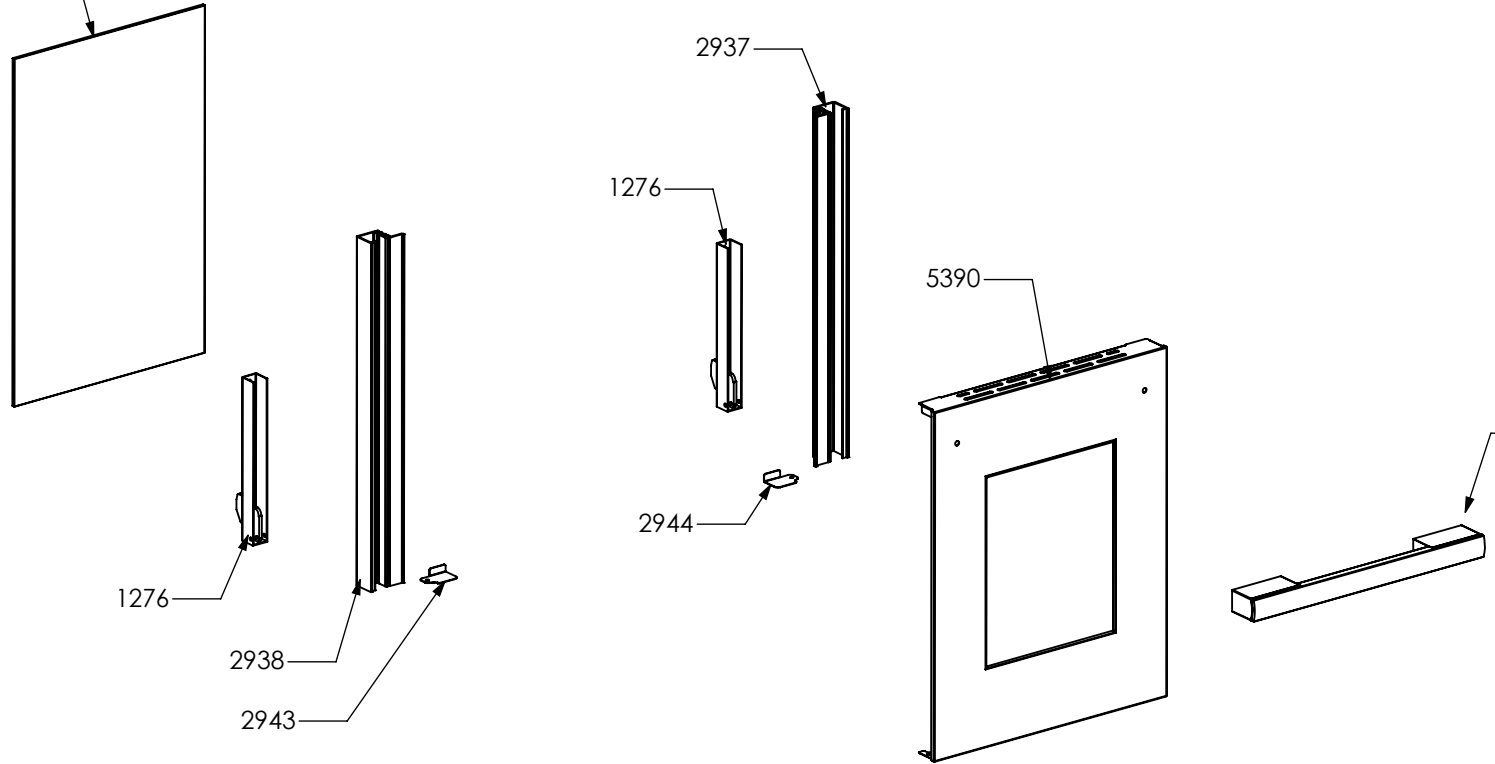
5390

1276

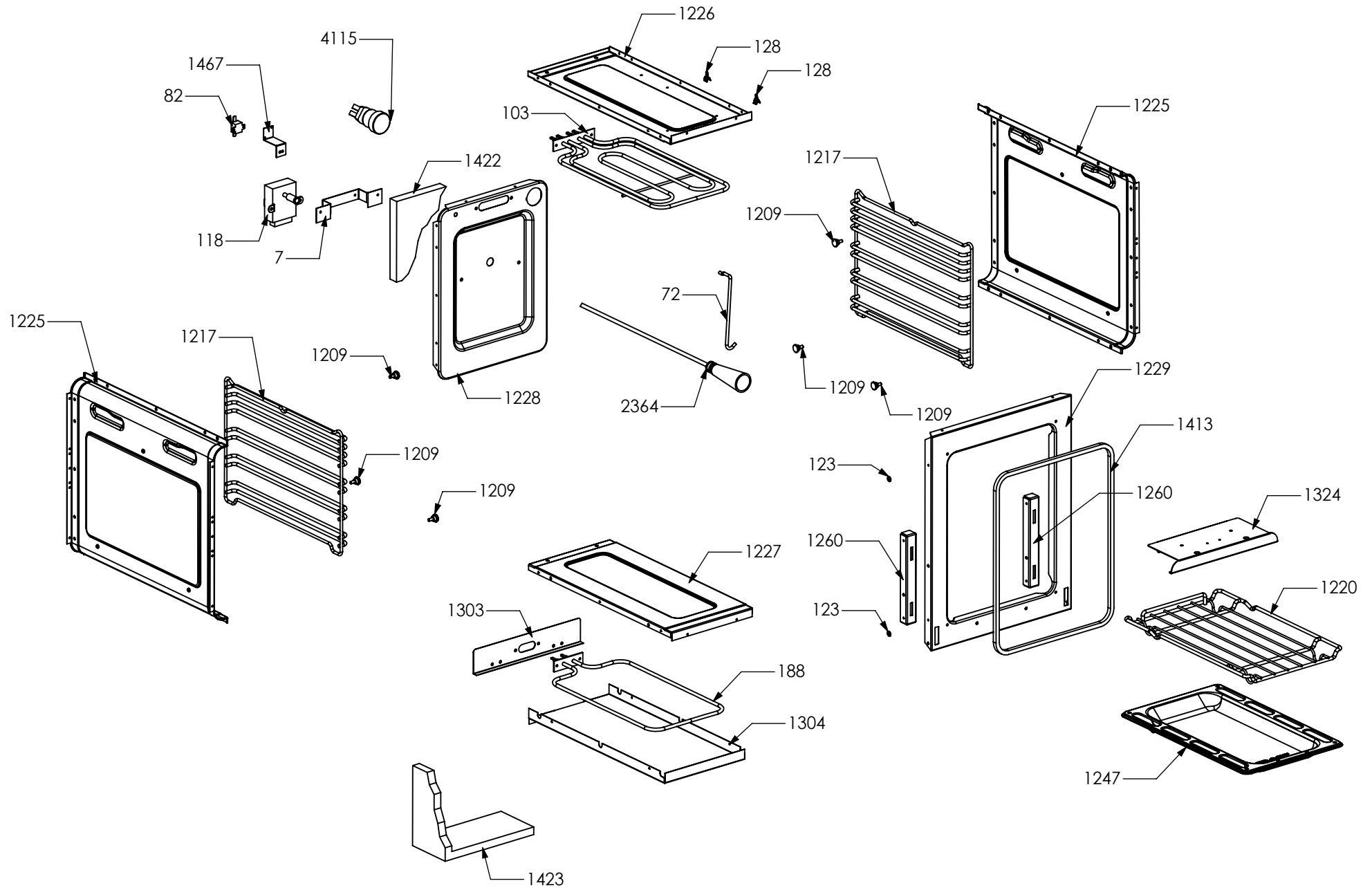
2938

2943

3764



N° Object	Code	Description	Qty
4980	GR8657	Assembly glued oven door 90 Adg	1
2937	GR4313	Assembly door 30/60/90 right bar profile 07	1
2938	GR4314	Assembly door 30/60/90 left bar profile 07	1
1224	ZS2311	Inner glass oven door 30	1
1276	ZS2413	Door hinge for oven 30	2
2943	ZS4746	Right support for inner glass	1
2944	ZS4747	Left support for inner glass	1
3764	ZS6089	Door oven handle for oven 30 BOSCH	1
5390	ZS8672	Glued external oven door 30 KL	1



N° Object	Code	Description	Qty	N° Object	Code	Description	Qty
7	072169	Support for turnspit fixing	1				
72	451143	Turnspit rod support	1				
82	481403	Thermoswitch 16 Ampere	1				
103	482072	Upper heating element cooker Ratio	1				
118	521054	Turnspit motor reducer (110/230v- 20/60hz-cl h)	1				
123	541011	Spacer washer for built-in oven	2				
128	601152	Spring fixing feeler for built-in oven	2				
188	ZS7653	Lower heating element for oven 30	1				
1209	414559	Lateral frame support for built-in oven	6				
1217	ZS2283	Oven lateral frame 30/60/90	2				
1220	ZS2287	Chromed wire grid for oven 30	1				
1225	ZS2312	Side muffle oven 30/60/90 enamelled 04	2				
1226	ZS2314	Enamelled muffle ceiling oven 30	1				
1227	ZS2316	Enamelled muffle bottom for oven 30	1				
1228	ZS2318	Muffle rear side oven 30 enamelled 04	1				
1229	ZS2320	Enamelled muffle front side oven 30	1				
1247	ZS2362	Enamelled drip tray for oven 30	1				
1260	ZS2395	Hinge support 06	2				
1303	ZS2454	Lower heating elem.support oven 30 04	1				
1304	ZS2455	Lower heating element tray oven 30 04	1				
1324	ZS2494	Grill heating element support for muffle oven 30 enamelled 04	1				
1413	ZS2599	Gasket oven 30 04	1				
1422	ZS2627	White glass wool for rear side 30 oven 04	1				
1423	ZS2628	White glass wool for 30 oven 04	1				
1467	ZS2604	Support for safety thermostat 04	1				
2364	ZS3309	Turnspit for oven 30 (2 forks + handle)	1				
4115	ZS6631	Compete Lamp-holder for oven (max 25 W)	1				



N° Object	Code	Description	Qty
132	ZS5148	Adhesive tape 16,5 m x 19h (3M)	80
725	601108	Anti-overturning device	0,3
1210	ZS5149	Adhesive tape 33 mt x 17h mm x th 0,6 mm (3M 4930)	200
1586	ZS2770	Additional wiring generic L=60 cm Fem Fem	2
1930	ZS3708	Wire protection d.16 vetrotex red	0,1
2225	ZS3976	Gasket aerostop	4
3071	ZS5206	Wiring diagram for cooker S10FF-6	1
3257	ZS5157	Gasket aerostop	2
4642	ZS5540	Knob spring thickness 1,1 total coils 4 - 3/4	9
5336	ZS8523	Instruction booklet cooker Adagio Lancellotti Multilanguage	1