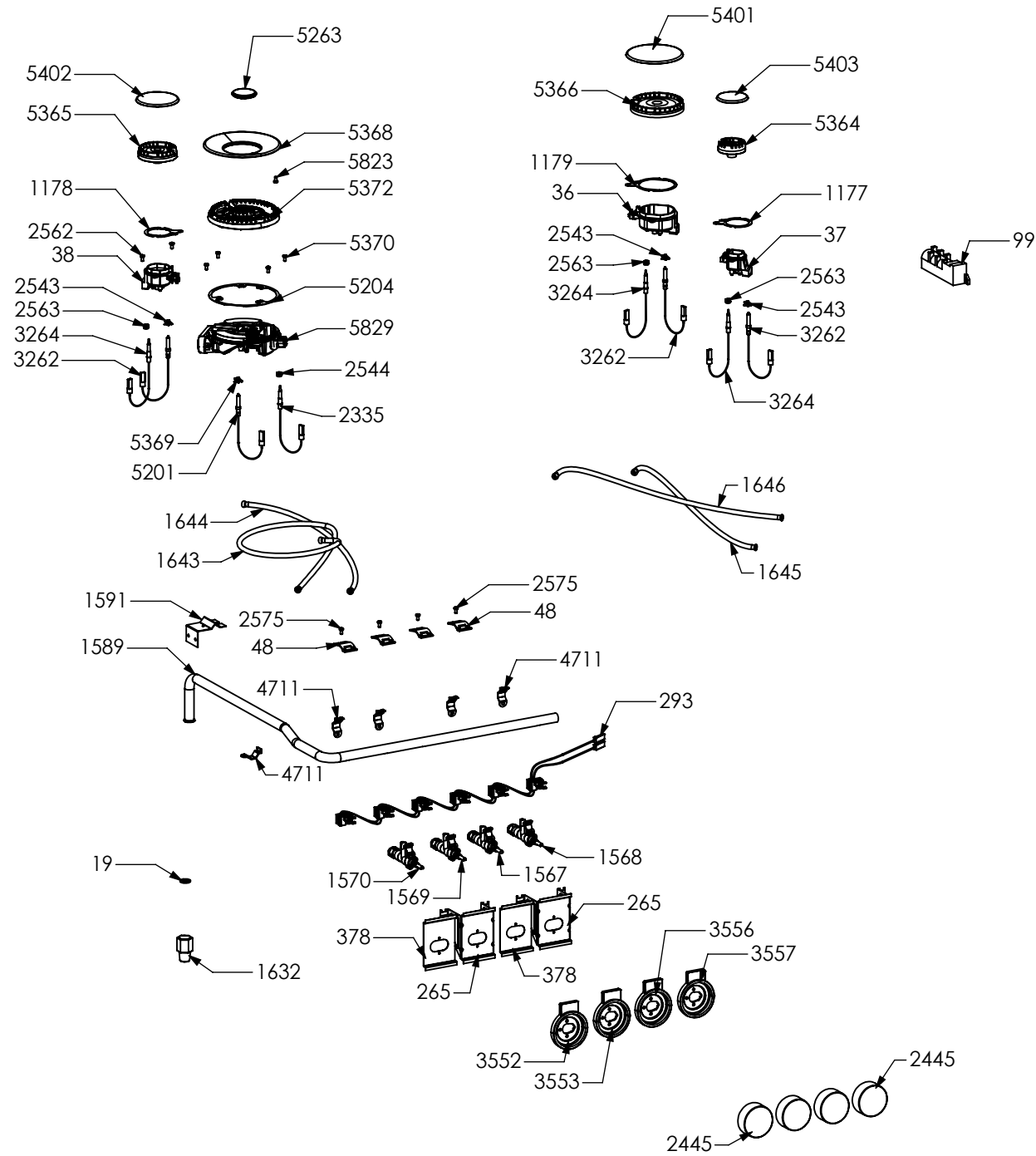
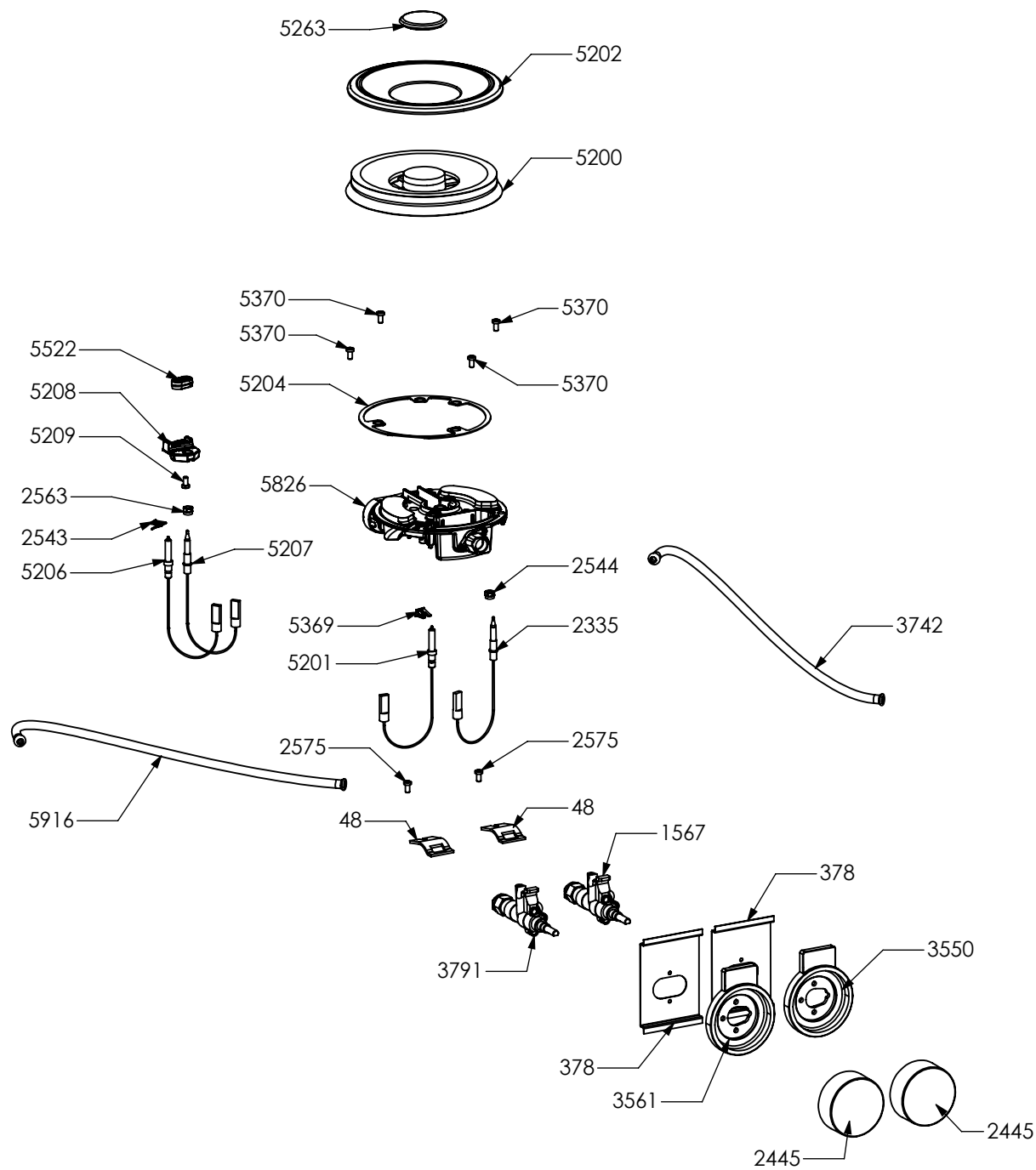


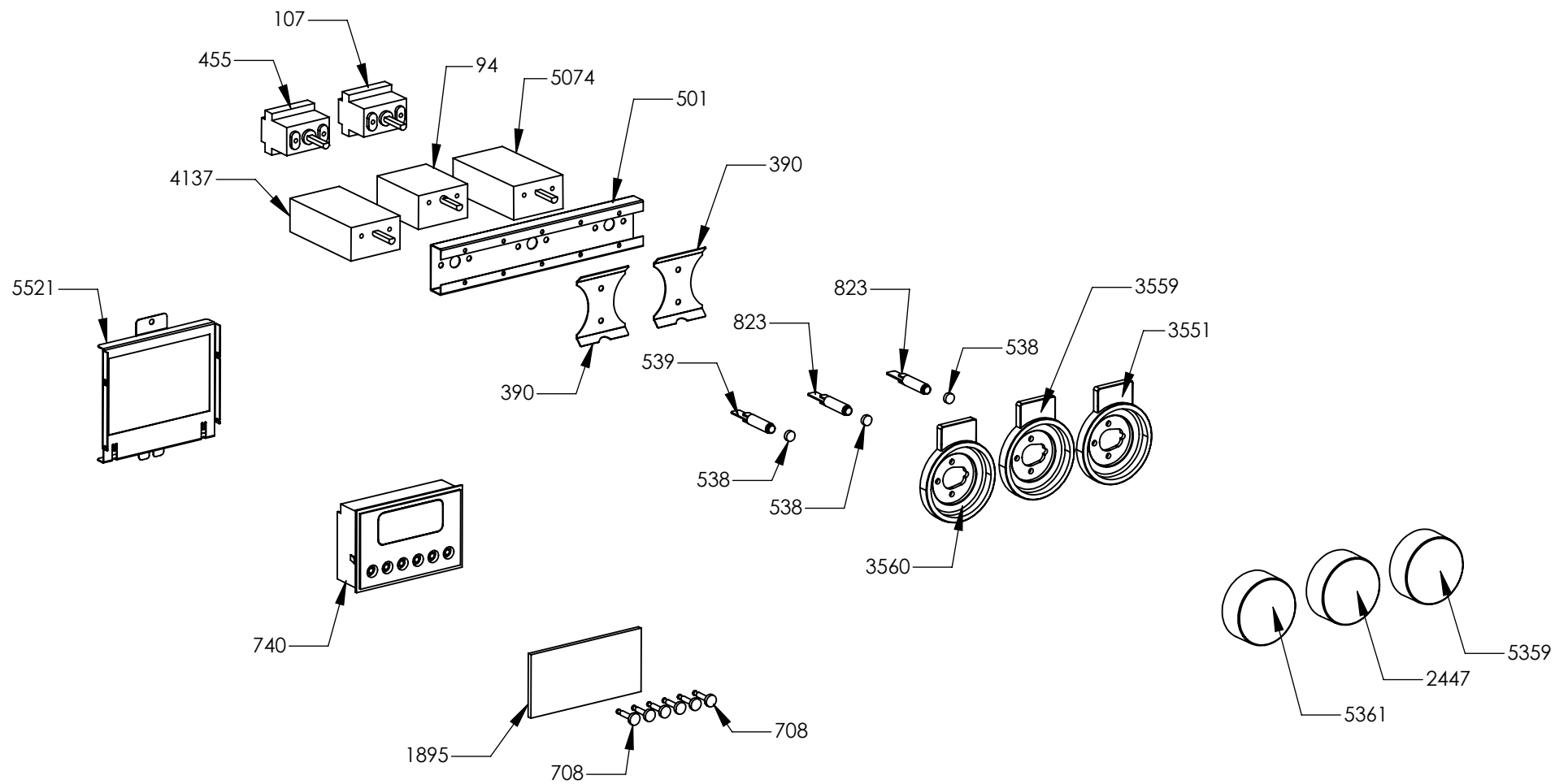
N° Object	Code	Description	Qty
260	ZS0498	Cast-iron grid for lateral cooktop 100 Sintesi	2
268	ZS0511	Cast-iron grid 2 burners Sintesi	2
297	ZS0585	Upper right side support	1
298	ZS0586	Upper left side support	1
684	ZS1864	Support for lateral cast-iron grid cooktop 100	4
731	ZS0565	Cast-iron grid for wok	1
1014	ZS2026	Thermostat TY60 N.O. fixing B	1
1612	ZS3020	Support for connection top-base	2
1665	ZS3008	Complete upper right side squared 04	1
1666	ZS3010	Complete upper left side squared 04	1
3658	ZS5722	Cast-iron grid 1 burner Sintesi	1
4902	GR7522	Assembly cooktop cooker 100 double oven 4 burners DCC Mega wok	1
1441	ZS2665	Support for fan timelag device	1
5503	ZS6140	Display support	1



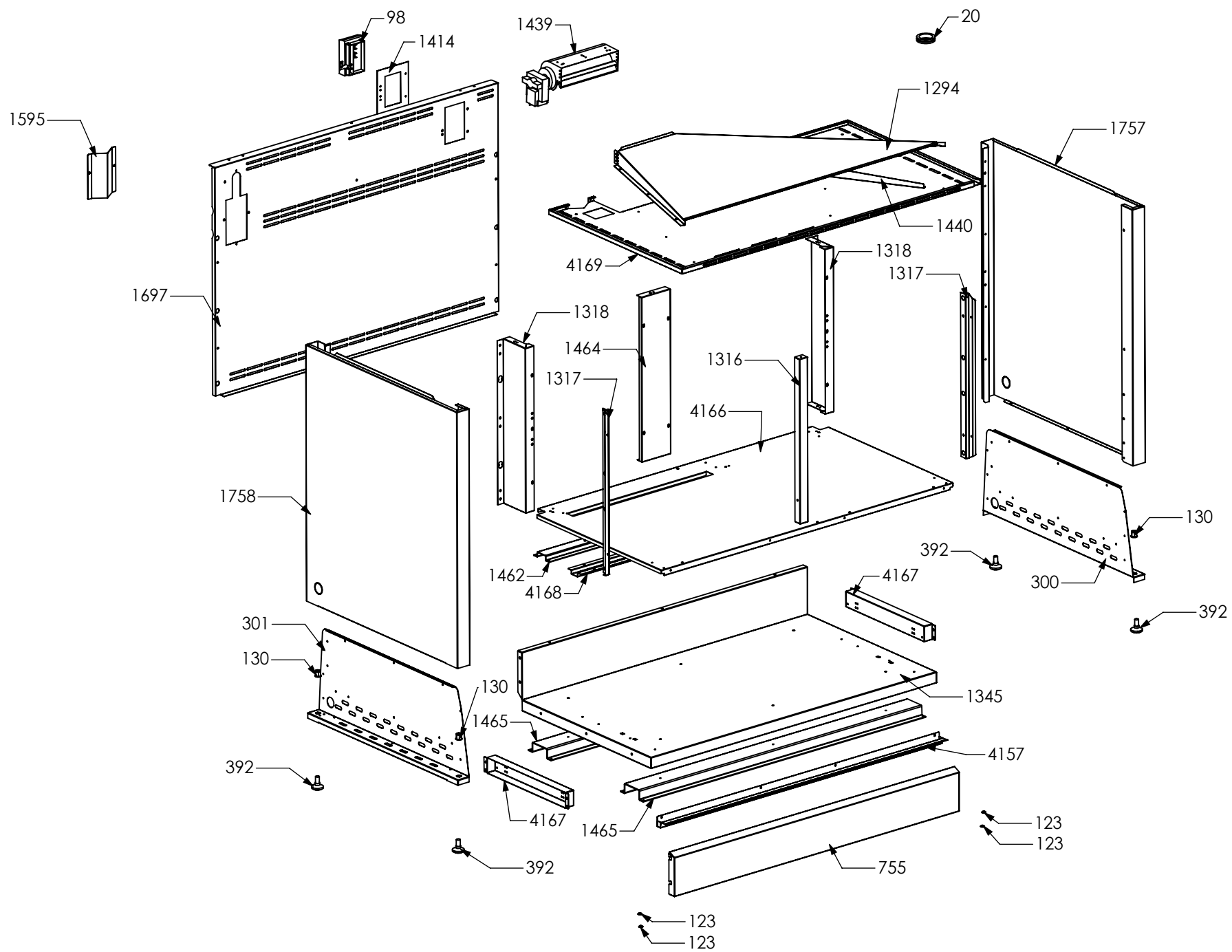
N° Object	Code	Description	Qty	N° Object	Code	Description	Qty
19	400689	Gasket gas inlet	1	2563	ZS0907	Fixing nut for thermocouple	3
36	414157	Rapid burner body G25 1,21	1	2575	505241	Screw M4	4
37	414158	Auxiliary burner body G25 0,72	1	3262	ZS5270	Burner spark plug Cast	3
38	414159	Semi rapid burner body G25 0,94 (fish-kettle G20)	1	3264	ZS5272	Thermocouple Cast L=770	3
48	421323	Gas taps fixing bridle M60	4	3552	ZS5843	Bezel for front left burner knob 58, bright chromed	1
99	481918	Ignition system 6 flames	1	3553	ZS5844	Bezel for rear left burner knob 58, bright chromed	1
265	ZS0504	Ramp fixing support	2	3556	ZS5847	Bezel for front right burner knob 58, bright chromed	1
293	ZS0578	Ignition switches for six burners' cooker	1	3557	ZS5848	Bezel for rear right burner knob 58, bright chromed	1
378	ZS0819	Under knob collars fixing support	2	4711	ZS6772	Clamp support for main ramp	5
1177	ZS2217	Gasket for auxiliary burner	1	5201	ZS8191	Wok burner spark plug sbf DCC M+G INT	1
1178	ZS2218	Gasket for semi-rapid burner	1	5204	ZS8194	Gasket for wok burner	1
1179	ZS2219	Gasket for rapid burner	1	5263	ZS8313	Plate central Wok burner	1
1567	ZS2923	Valved tap for auxiliary burner (bypass 0,27)	1	5364	ZS8626	Auxiliary burner flame spreader HE2 BRASS	1
1568	ZS2924	Valved tap for rapid/fish-kettle burner	1	5365	ZS8628	Semi-rapid burner flame spreader HE2 BRASS	1
1569	ZS2925	Valved tap for semi-rapid burner	1	5366	ZS8630	Rapid burner flame spreader HE2 BRASS	1
1570	ZS2926	Valved tap for triple-ring burner	1	5368	ZS8633	Plate Wok burner external	1
1589	ZS2932	Ramp 6 burners cooker 090/100 double oven 06	1	5369	ZS8634	Spring fixing spark plug for Wok	1
1591	ZS2934	Rear ramp fixing support cooker 70 / 100 TC / DC	1	5370	ZS8635	Screw M4 wok burner	4
1632	ZS3021	Adapter female-male 1/2 BSP 04	1	5372	ZS8638	Wok burner flame spreader BRASS	1
1643	ZS3064	Pipe ramp for front left triple ring burner cooker 100 05	1	5401	ZS8684	Plate rapid burner HE2	1
1644	ZS3065	Pipe ramp for rear left semi-rapid burner cooker 100 05	1	5402	ZS8685	Plate semi-rapid burner HE2	1
1645	ZS3066	Pipe ramp for front right auxiliary burner cooker 100 05	1	5403	ZS8686	Plate auxiliary burner HE2	1
1646	ZS3067	Pipe ramp for rear right rapid burner cooker 100 05	1	5823	ZS8645	Pins for Wok	1
2335	ZS4181	Thermocouple SBF L=750 TC	1	5829	ZS8823	Wok burner body G25/25 1.35	1
2445	ZS4294	Knob 58 for gas burners MTG	4				
2543	601229	Spring fixing spark plug for triple ring P-4	3				
2544	ZS4186	Fixing nut for thermocouple burner 4.5	1				
2562	506037	Screw M3x8 TC s.steel	6				



N° Object	Code	Description	Qty	N° Object	Code	Description	Qty
48	421323	Gas taps fixing bridle M60	2				
378	ZS0819	Under knob collars fixing support	2				
1567	ZS2923	Valved tap for auxiliary burner (bypass 0,27)	1				
2335	ZS4181	Thermocouple SBF L=750 TC	1				
2445	ZS4294	Knob 58 for gas burners MTG	2				
2543	601229	Spring fixing spark plug for triple ring P-4	1				
2544	ZS4186	Fixing nut for thermocouple burner 4.5	1				
2563	ZS0907	Fixing nut for themocouple	1				
2575	505241	Screw M4	2				
3550	ZS5841	Bezel for central internal burner knob 58, bright chromed	1				
3561	ZS5852	Bezel for central external burner knob 58, bright chromed	1				
3742	ZS4837	Pipe ramp for t.c. 4.5 external burner cooker	1				
3791	ZS6109	Valved tap for triple-ring burner	1				
5200	ZS8190	Mega Wok burner flame spreader BRASS	1				
5201	ZS8191	Wok burner spark plug sbf DCC M+G INT	1				
5202	ZS8192	Plate Mega Wok burner external	1				
5204	ZS8194	Gasket for wok burner	1				
5206	ZS8197	Mega Wok burner spark plug sbf DCC G EXT	1				
5207	ZS8198	Thermocouple SBF L=750 DCC	1				
5208	ZS8199	Support for thermocouple DCC	1				
5209	ZS8200	Screw M3.5x6	1				
5263	ZS8313	Plate central Wok burner	1				
5369	ZS8634	Spring fixing spark plug for Wok	1				
5370	ZS8635	Screw M4 wok burner	4				
5522	ZS8980	Gasket for Mega wok thermocouple support	1				
5826	ZS8820	Mega Wok burner body G25/25 0,68 1,37	1				
5916	ZA0275	Pipe ramp for t.c. 4.5 central burner cooker DCC 90/120	1				

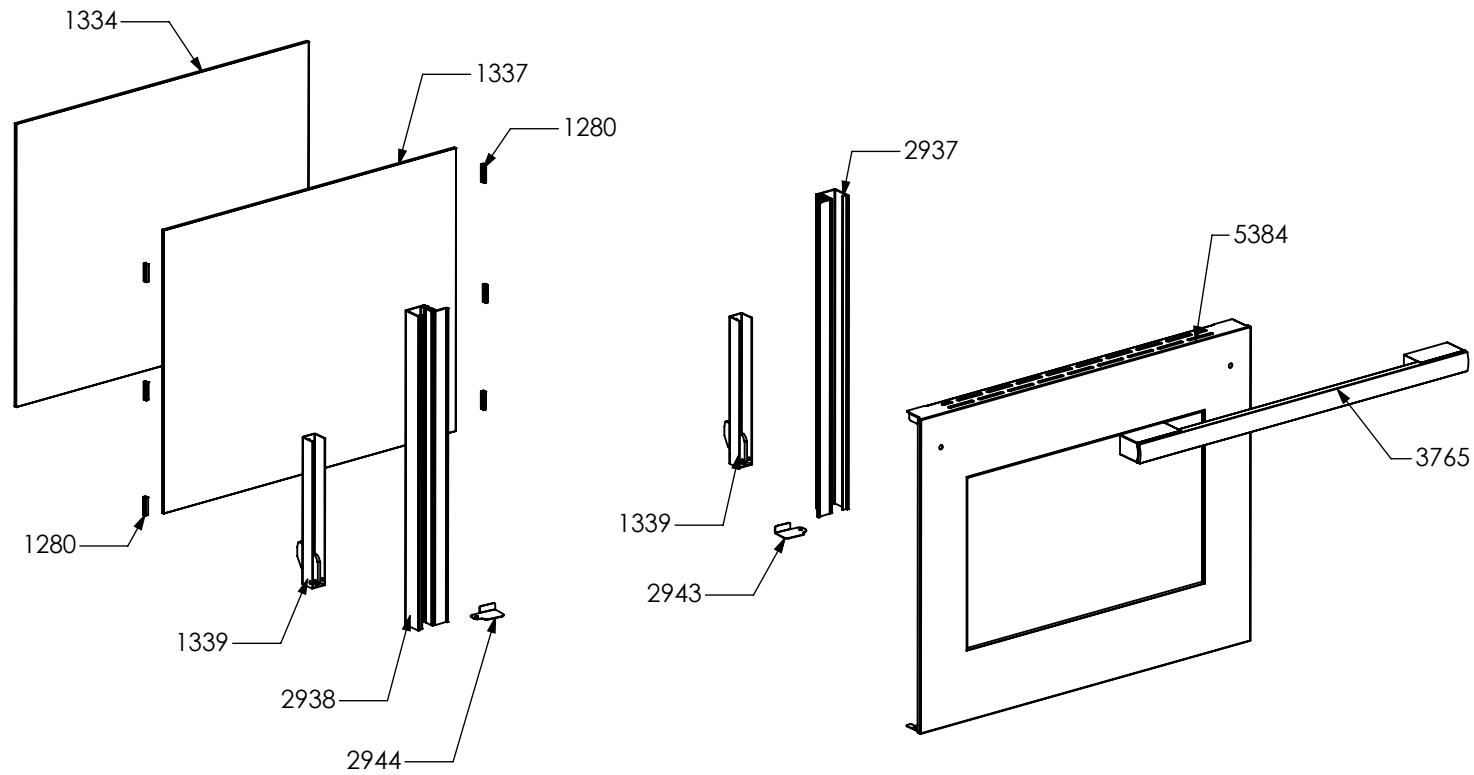


N° Object	Code	Description	Qty
94	481814	Commutator multif. for 90 built-in oven(no pizza)	1
107	482120	Thermostat cooker 192	1
390	ZS0890	Spring for el. controls support	2
455	ZS1075	Oven thermostat	1
501	ZS1136	Commutator support 3 positions	1
538	ZS1204	Led transparent	3
539	ZS1205	Fluorescent green warning light	1
708	ZS1916	Knob for timer steel-colour 988	6
740	ZS1747	Timer (blue led) 50 Hz	1
823	ZS1755	Fluorescent orange warning light	2
1895	ZS3652	Glass lcd 6 button no hole	1
2447	ZS4296	Knob 58 for oven temperature MTG	1
3551	ZS5842	Bezel for 30 oven functions knob 58, bright chromed	1
3559	ZS5850	Bezel for oven temperature knob 58, bright chrome	1
3560	ZS5851	Bezel for oven functions knob 58, bright chromed	1
4137	ZS6655	Steam oven functions switch	1
5074	ZS7893	Commutator oven functions 060 R	1
5359	ZS8600	Knob 58 oven 30 functions MTG	1
5361	ZS8602	Knob 58 oven 60/90 functions MTG	1
5521	ZS6139	Electrical display support	1

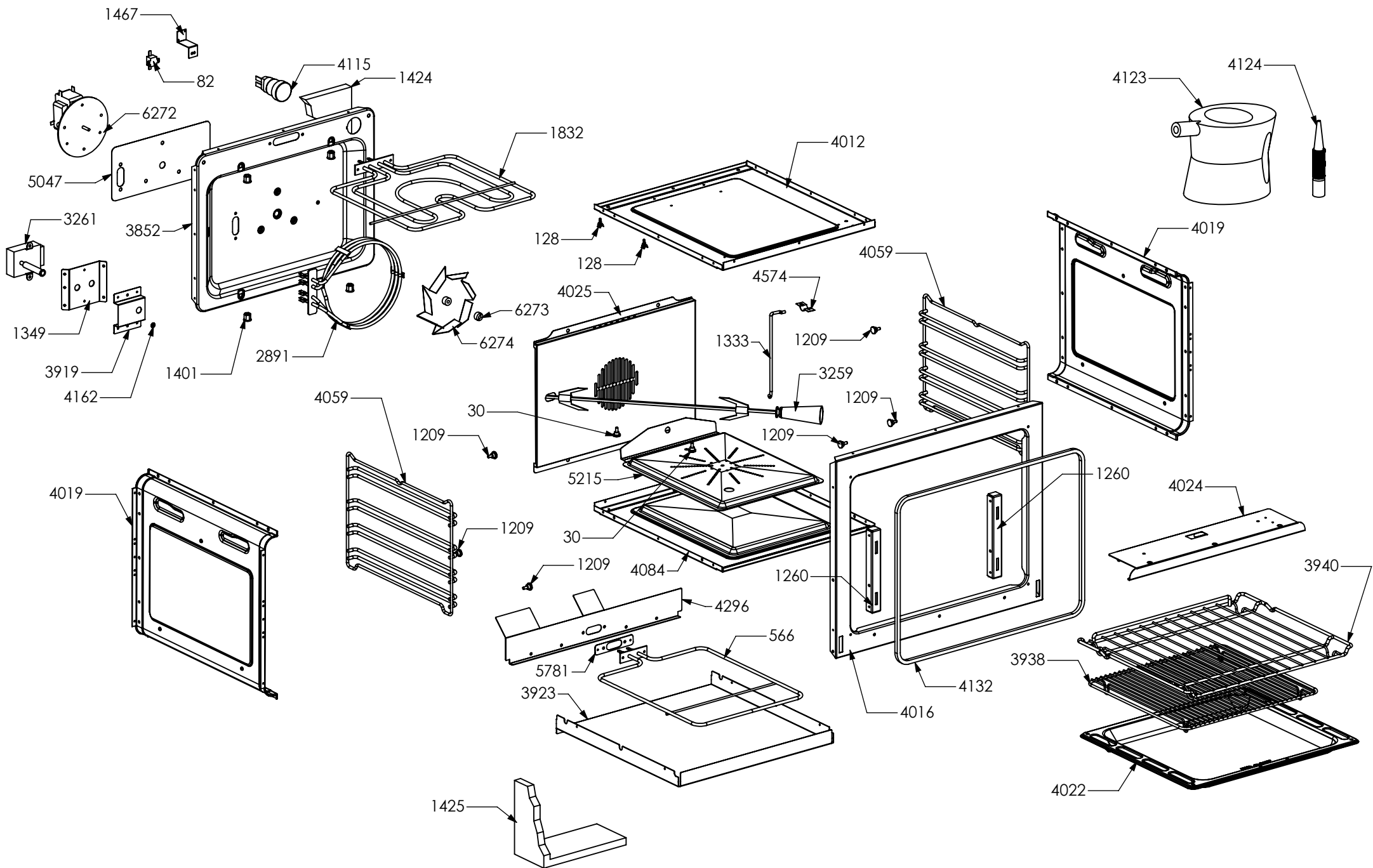


N° Object	Code	Description	Qty	N° Object	Code	Description	Qty
20	401520	Black cap for glass front panel	2	4169	ZS6686	Muffle fan guard cooker 100 double/Triple oven Steam	1
98	481913	Terminal block for oven 32 PA 233	1				
123	541011	Spacer washer for built-in oven	4				
300	GR0591	Assembly complete lower reinforcement right side	1				
130	601156	Tapping screw M10 galvanized	2				
301	GR0592	Assembly complete lower reinforcement left side	1				
130	601156	Tapping screw M10 galvanized	2				
392	ZS0903	Sintesi black foot H.15	4				
755	ZS1917	Plinth for cooker 100 double oven	1				
1294	ZS2440	Air conveyor for cooktop 100 DC double oven 04	1				
1316	ZS2474	Front central muffle support cooker 100/120 double oven	1				
1317	ZS2475	Front support for muffle left/right side 100/120 double/triple oven cooker	2				
1318	ZS2477	Rear support for muffle left/right side cooker 100 double/triple oven	2				
1345	ZS2479	Lower guard for cooker 100 double oven 04	1				
1414	ZS2601	Terminal board support	1				
1439	ZS2663	Cooling fan L=180 Plaset (AU)	1				
1440	ZS2664	Air conveyor separator cooker 100 DC/TC	1				
1462	ZS2472	Reinforcement for ceiling drawer cooker 100 double oven 04	1				
1464	ZS2476	Rear central support for muffle cooker 100 double oven	1				
1465	ZS2478	Reinforcement for lower guard cooker 100 double oven 04	2				
1595	ZS2938	Ramp hole closing plate	1				
1697	ZS3234	Rear guard for cooker 100 double oven 04	1				
1757	ZS3016	Complete lower right side panel	1				
1758	ZS3018	Complete lower left side panel	1				
4157	ZS6628	Bracket condensate collection for 100 DC Steam	1				
4166	ZS6683	Drawer upper guard for cooker 100 double oven Steam	1				
4167	ZS6684	Spacer for drawer guide	2				
4168	ZS6685	Reinforcement for ceiling drawer cooker 100 SF double oven 04	1				

3197

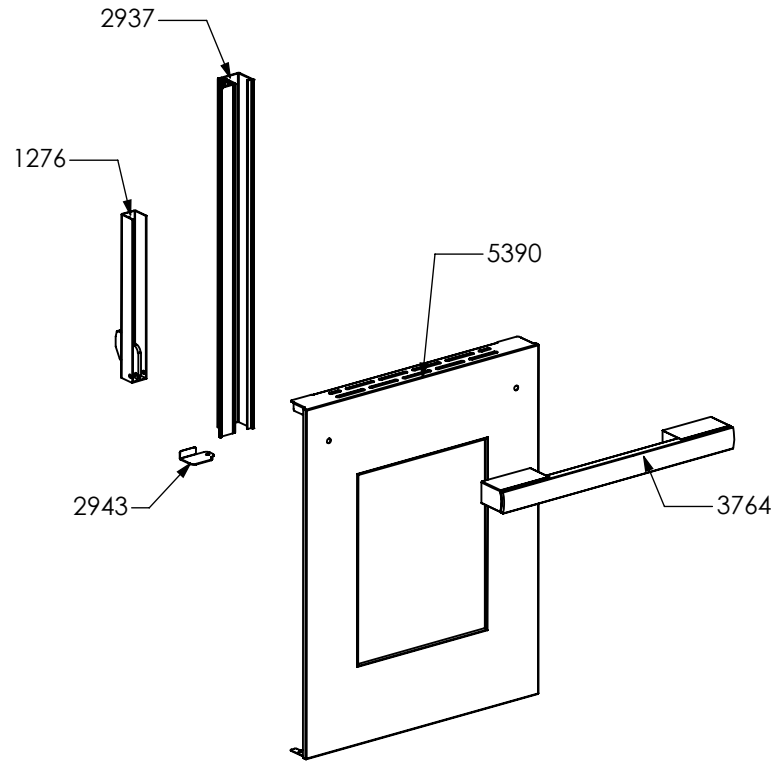
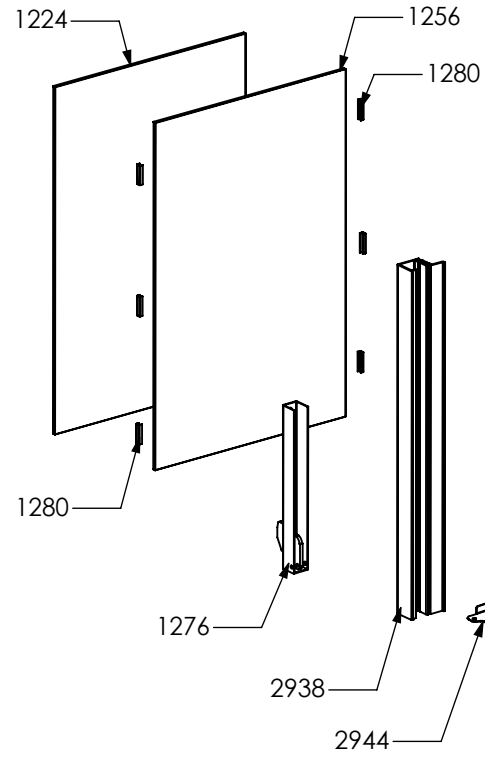


N° Object	Code	Description	Qty
3197	GR5860	Assembly glued oven door 60/100 double oven	1
2937	GR4313	Assembly door 30/60/90 right bar profile 07	1
2938	GR4314	Assembly door 30/60/90 left bar profile 07	1
1334	ZS2308	Inner glass oven door 60	1
1337	ZS2393	In-between glass oven door 60 04	1
1339	ZS2416	Door hinge for multifunction oven 60	2
1280	ZS2419	Spring for door glass assembling 04	6
2943	ZS4746	Right support for inner glass	1
2944	ZS4747	Left support for inner glass	1
3765	ZS6090	Door oven handle for oven 60 BOSCH	1
5384	ZS8665	Glued external oven door 60/100 double oven	1

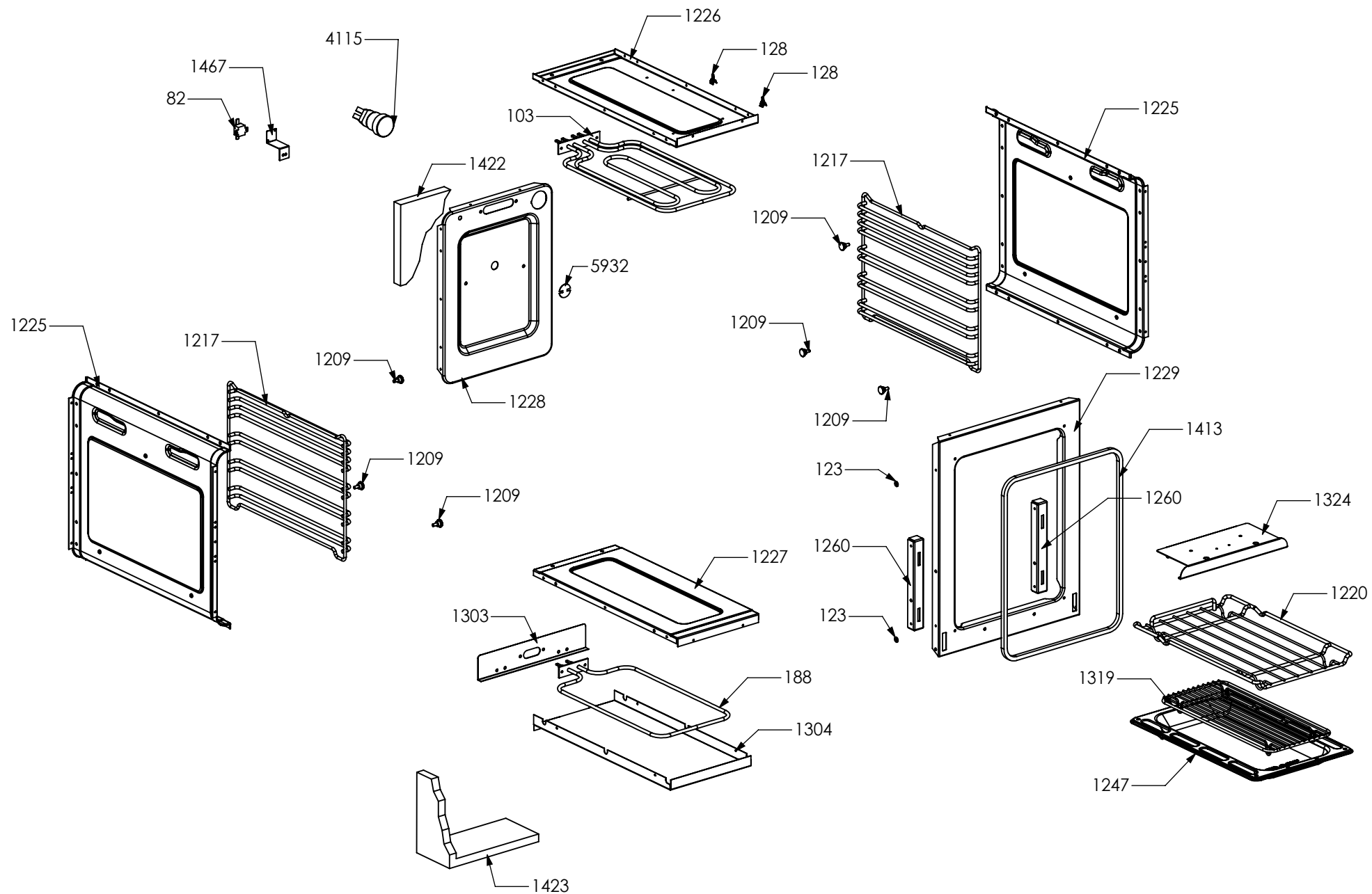


N° Object	Code	Description	Qty	N° Object	Code	Description	Qty
30	411213	Lateral frame support for built-in oven	2	4084	ZS6542	Complete muffle bottom for oven 60 S.Steel Steam	1
82	481403	Thermoswitch 16 Ampere	1	4115	ZS6631	Complete Lamp-holder for oven (max 25 W)	1
128	601152	Spring fixing feeler for built-in oven	2	4123	ZS6653	Carafe graduate 0.5	1
566	ZS7590	Lower heating element for oven 60 (1200W/230V)	1	4124	ZS6654	Steam flexible pipe	1
1209	414559	Lateral frame support for built-in oven	6	4132	ZS6541	Gasket oven 60 H=8.9 mat HT	1
1260	ZS2395	Hinge support 06	2	4162	ZS6679	O-ring 3021 viton	1
1333	ZS2289	Support for grillrod 60/90	1	4296	ZS9953	Lower heating elem.support oven 60	1
1349	ZS2499	Fixing support for turnspit motor oven 60/90	1	4574	ZS6005	Fixing support for turnspit motor oven 60/90	1
1424	ZS2629	White glass wool for rear side 60 oven 04	1	5047	ZS7807	Reinforce fan cover for oven 90 with turnspit hole S.STEEL	1
1425	ZS2632	White glass wool for 60 oven 04	1	5215	ZS8228	Steam generator cover 60	1
1467	ZS2604	Support for safety thermostat 04	1	5781	ZS6558	Adapter for lower heating elements	1
1832	482094	Grill heating element for oven 60 (1900+850W)	1	6272	ZA0488	Circular tangential oven 90 fan without fan and nut	1
2891	482589	Circular heating element 230V-2100W	1	6273	ZA0489	Nut for circular tangential oven	1
3259	ZS5174	Turnspit for oven 60 (4 forks + handle) - 04	1	6274	ZA0490	Fan for circular tangential oven	1
3261	ZS5236	Turnspit motor reducer 50/60 Hz	1				
3852	GR6224	Assembly rear muffle oven 60 S.Steel TDL	1				
1401	ZS2585	Tapping screw M5 aluminium	4				
3919	ZS6002	Reinforce for fixing support for turnspit motor oven 60/90	1				
3923	ZS6193	Lower heating element tray oven 60 04	1				
3938	ZS6340	S.steel Trivet for oven 60	1				
3940	ZS6342	S.steel wire grid for oven 60	2				
4012	ZS6215	Stainless Steel muffle ceiling oven 60	1				
4016	ZS6219	S.Steel muffle front side oven 60	1				
4019	ZS6222	Side muffle oven 30/60/90 S.Steel TDL	2				
4022	ZS7594	Drip tray for oven 60 S.Steel TDL	1				
4024	ZS6246	Grill heating element support for muffle oven 60 S.Steel	1				
4025	ZS6247	Fan cover for oven 60 with turnspit hole S.STEEL	1				
4059	ZS6034	Oven lateral frame 30/60/90 S.Steel	2				

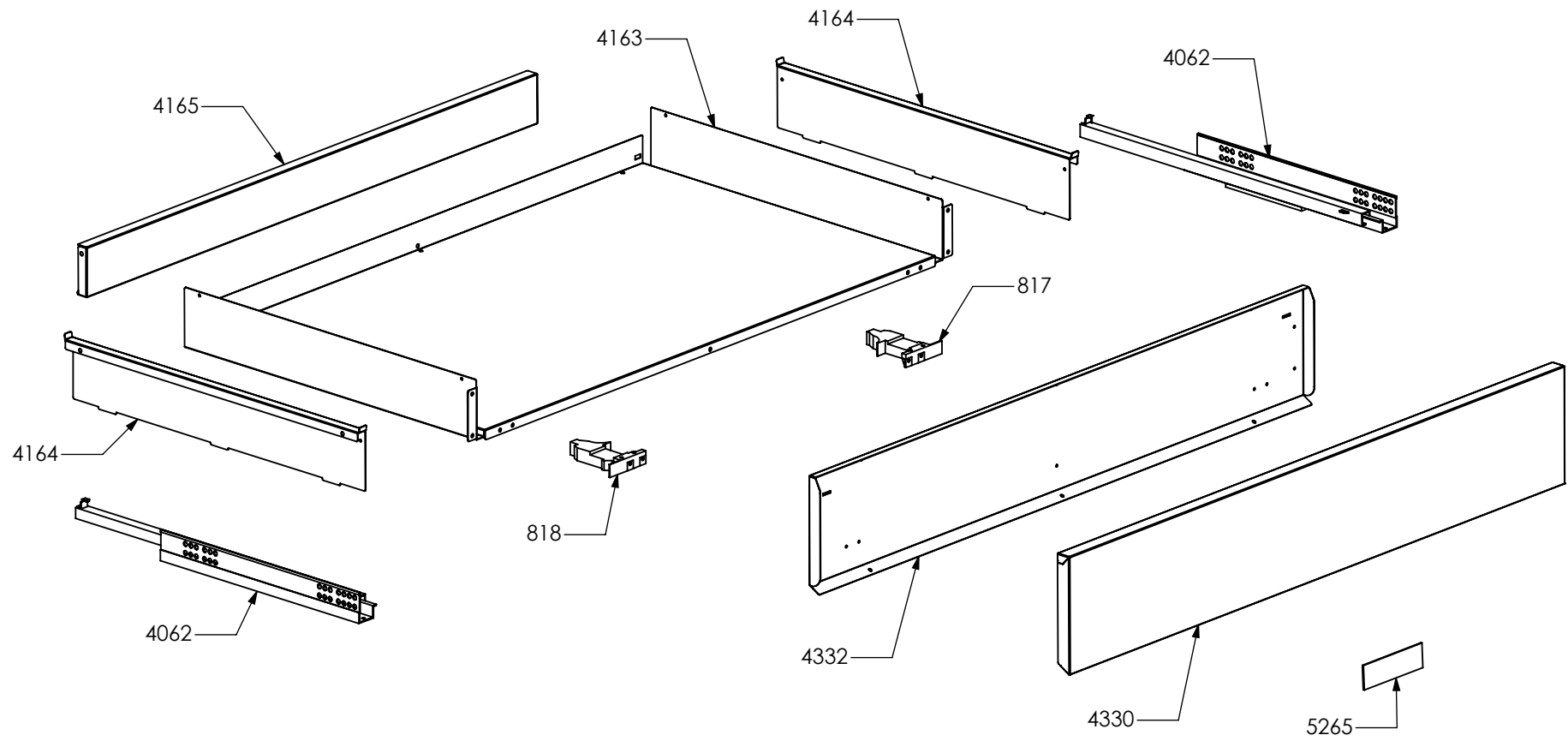
3196



N° Object	Code	Description	Qty
3196	GR5859	Assembly glued oven door 30	1
2937	GR4313	Assembly door 30/60/90 right bar profile 07	1
2938	GR4314	Assembly door 30/60/90 left bar profile 07	1
1224	ZS2311	Inner glass oven door 30	1
1256	ZS2390	In-between glass oven door 30 04	1
1276	ZS2413	Door hinge for oven 30	2
1280	ZS2419	Spring for door glass assembling 04	6
2943	ZS4746	Right support for inner glass	1
2944	ZS4747	Left support for inner glass	1
3764	ZS6089	Door oven handle for oven 30 BOSCH	1
5390	ZS8672	Glued external oven door 30 KL	1



N° Object	Code	Description	Qty
82	481403	Thermoswitch 16 Ampere	1
103	482072	Upper heating element cooker	1
123	541011	Spacer washer for built-in oven	2
128	601152	Spring fixing feeler for built-in oven	2
188	ZS7653	Lower heating element for oven 30	1
1209	414559	Lateral frame support for built-in oven	6
1217	ZS2283	Oven lateral frame 30/60/90	2
1220	ZS2287	Chromed wire grid for oven 30	1
1225	ZS2312	Side muffle oven 30/60/90 enamelled 04	2
1226	ZS2314	Enamelled muffle ceiling oven 30	1
1227	ZS2316	Enamelled muffle bottom for oven 30	1
1228	ZS2318	Muffle rear side oven 30 enamelled 04	1
1229	ZS2320	Enamelled muffle front side oven 30	1
1247	ZS2362	Enamelled drip tray for oven 30	1
1260	ZS2395	Hinge support 06	2
1303	ZS2454	Lower heating elem.support oven 30 04	1
1304	ZS2455	Lower heating element tray oven 30 04	1
1319	ZS2488	Trivet for oven 30 04	1
1324	ZS2494	Grill heating element support for muffle oven 30 enamelled 04	1
1413	ZS2599	Gasket oven 30 04	1
1422	ZS2627	White glass wool for rear side 30 oven 04	1
1423	ZS2628	White glass wool for 30 oven 04	1
1467	ZS2604	Support for safety thermostat 04	1
4115	ZS6631	Complete Lamp-holder for oven (max 25 W)	1
5932	ZP0119	Turnspit hole cap	1



N° Object	Code	Description	Qty
817	ZS0458	Drawer right regulation clip	1
818	ZS0459	Drawer left regulation clip	1
4062	ZS6372	Couple legobox rails partial opening push pull	1
4163	ZS6680	Bottom drawer for cooker 100 double oven S.Steel	1
4164	ZS6681	Drawer lateral side for cooker S.Steel	2
4165	ZS6682	Drawer rear side for cooker 100 double oven S.Steel	1
4330	ZS6840	Drawer door cooker 100 DC SF S.Steel	1
4332	ZS6870	Counterdoor drawer cooker 100 DC SF	1
5265	ZS8327	"Lancellotti" plate	1

N° Object	Code	Description	Qty
132	ZS5148	Adhesive tape 16,5 m x 19h (3M)	80
725	601108	Anti-overturning device	0,3
1210	ZS5149	Adhesive tape 33 mt x 17h mm x th 0,6 mm (3M 4930)	20
1575	ZS2931	Spacer between glasses	1
1586	ZS2770	Additional wiring generic L=75 cm Fem Fem	2
2205	ZS3753	Tapping screw M5 s.steel	2
4254	ZS6759	Wiring diagram for cooker S10SF-6	1
5212	ZS8219	Aluminium adhesive badge "CombiSteam"	1
5337	ZS8524	Instruction booklet cooker Maestro Lancellotti Multilanguage	1
5431	ZS8787	Instruction booklet Combi Steam oven Lancellotti	1