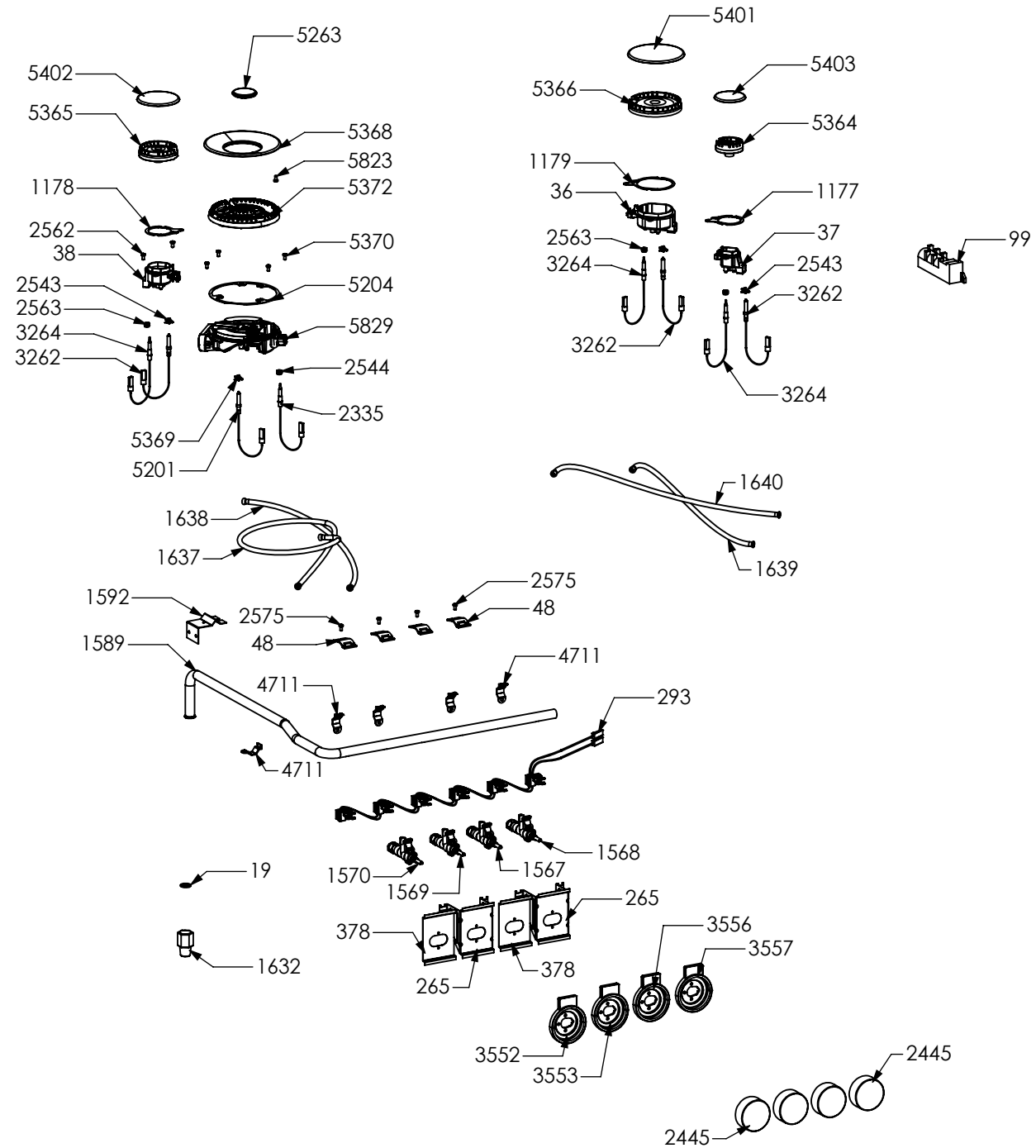
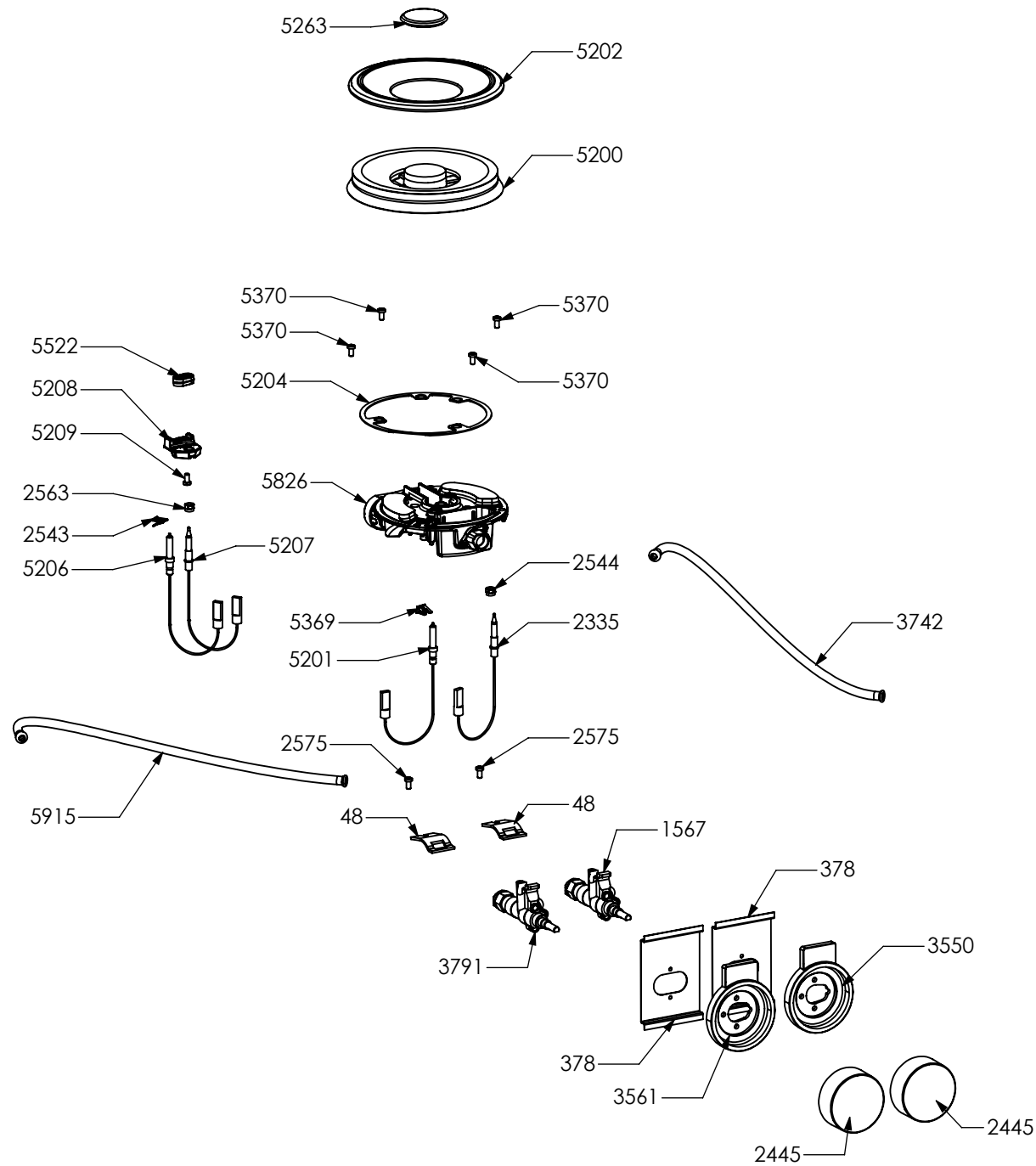


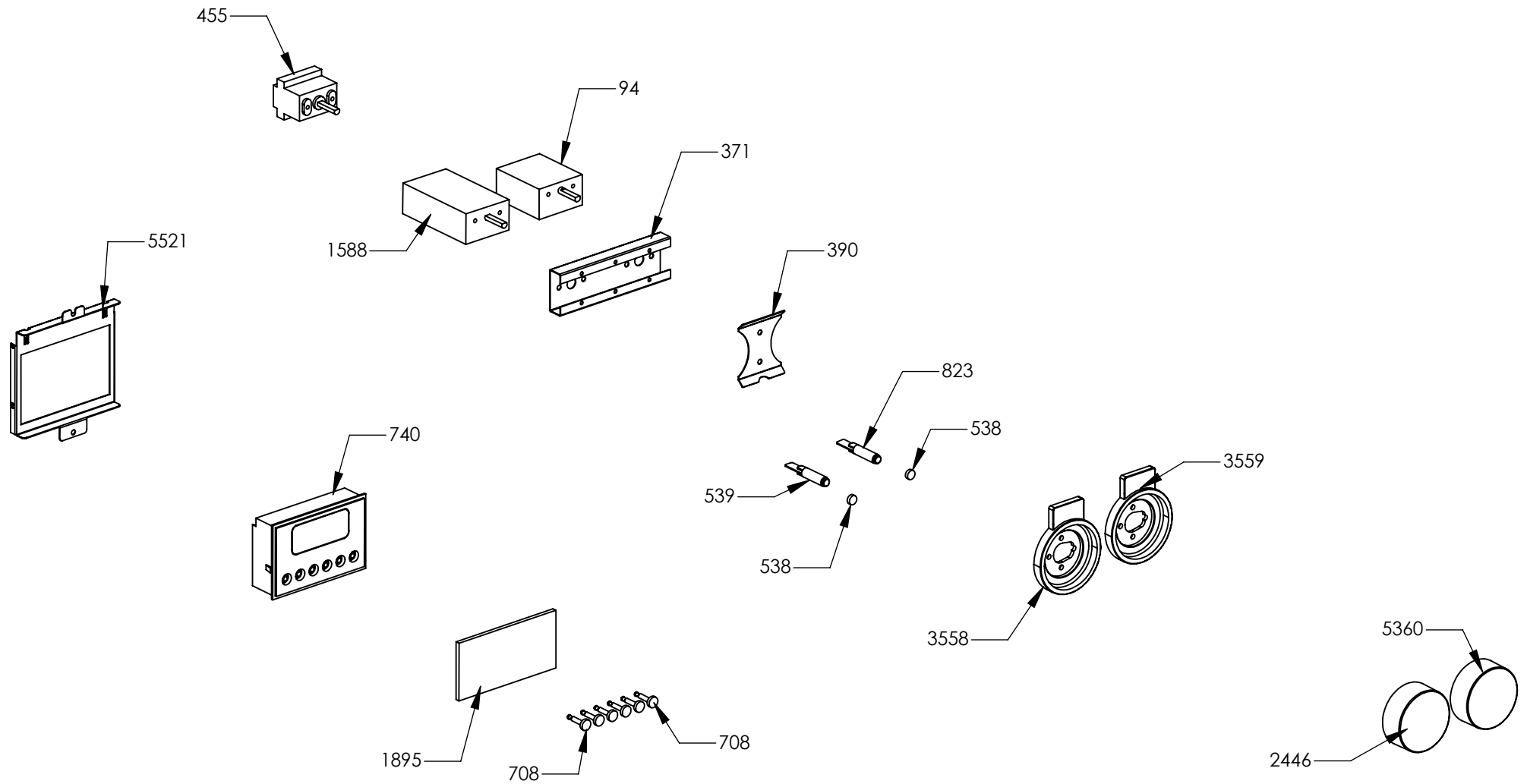
N° Object	Code	Description	Qty
268	ZS0511	Cast-iron grid 2 burners Sintesi	2
297	ZS0585	Upper right side support	1
298	ZS0586	Upper left side support	1
731	ZS0565	Cast-iron grid for wok	1
1014	ZS2026	Thermostat TY60 N.O. fixing B	1
1612	ZS3020	Support for connection top-base	2
1665	ZS3008	Complete upper right side squared 04	1
1666	ZS3010	Complete upper left side squared 04	1
3658	ZS5722	Cast-iron grid 1 burner Sintesi	1
4909	GR7867	Assembly cooktop cooker 90 4 burners, Mega wok DCC	1
1441	ZS2665	Support for fan timelag device	1
5503	ZS6140	Display support	1



N° Object	Code	Description	Qty	N° Object	Code	Description	Qty
19	400689	Gasket gas inlet	1	2563	ZS0907	Fixing nut for thermocouple	3
36	414157	Rapid burner body G25 1,21	1	2575	505241	Screw M4	4
37	414158	Auxiliary burner body G25 0,72	1	3262	ZS5270	Burner spark plug Cast	3
38	414159	Semi rapid burner body G25 0,94 (fish-kettle G20)	1	3264	ZS5272	Thermocouple Cast L=770	3
48	421323	Gas taps fixing bridle M60	4	3552	ZS5843	Bezel for front left burner knob 58, bright chromed	1
99	481918	Ignition system 6 flames	1	3553	ZS5844	Bezel for rear left burner knob 58, bright chromed	1
265	ZS0504	Ramp fixing support	2	3556	ZS5847	Bezel for front right burner knob 58, bright chromed	1
293	ZS0578	Ignition switches for six burners' cooker	1	3557	ZS5848	Bezel for rear right burner knob 58, bright chromed	1
378	ZS0819	Under knob collars fixing support	2	4711	ZS6772	Clamp support for main ramp	5
1177	ZS2217	Gasket for auxiliary burner	1	5201	ZS8191	Wok burner spark plug sbf DCC M+G INT	1
1178	ZS2218	Gasket for semi-rapid burner	1	5204	ZS8194	Gasket for wok burner	1
1179	ZS2219	Gasket for rapid burner	1	5263	ZS8313	Plate central Wok burner	1
1567	ZS2923	Valved tap for auxiliary burner (bypass 0,27)	1	5364	ZS8626	Auxiliary burner flame spreader HE2 BRASS	1
1568	ZS2924	Valved tap for rapid/fish-kettle burner	1	5365	ZS8628	Semi-rapid burner flame spreader HE2 BRASS	1
1569	ZS2925	Valved tap for semi-rapid burner	1	5366	ZS8630	Rapid burner flame spreader HE2 BRASS	1
1570	ZS2926	Valved tap for triple-ring burner	1	5368	ZS8633	Plate Wok burner external	1
1589	ZS2932	Ramp 6 burners cooker 090/100 double oven 06	1	5369	ZS8634	Spring fixing spark plug for Wok	1
1592	ZS2935	Rear ramp fixing support cooker 90/120	1	5370	ZS8635	Screw M4 wok burner	4
1632	ZS3021	Adapter female-male 1/2 BSP 04	1	5372	ZS8638	Wok burner flame spreader BRASS	1
1637	ZS3058	Pipe ramp for front left triple ring burner cooker 90 05	1	5401	ZS8684	Plate rapid burner HE2	1
1638	ZS3059	Pipe ramp for rear left semi-rapid burner cooker 90 05	1	5402	ZS8685	Plate semi-rapid burner HE2	1
1639	ZS3060	Pipe ramp for front right auxiliary burner cooker 90 05	1	5403	ZS8686	Plate auxiliary burner HE2	1
1640	ZS3061	Pipe ramp for rear right rapid burner cooker 90 05	1	5823	ZS8645	Pins for Wok	1
2335	ZS4181	Thermocouple SBF L=750 TC	1	5829	ZS8823	Wok burner body G25/25 1.35	1
2445	ZS4294	Knob 58 for gas burners MTG	4				
2543	601229	Spring fixing spark plug for triple ring P-4	3				
2544	ZS4186	Fixing nut for thermocouple burner 4.5	1				
2562	506037	Screw M3x8 TC s.steel	6				

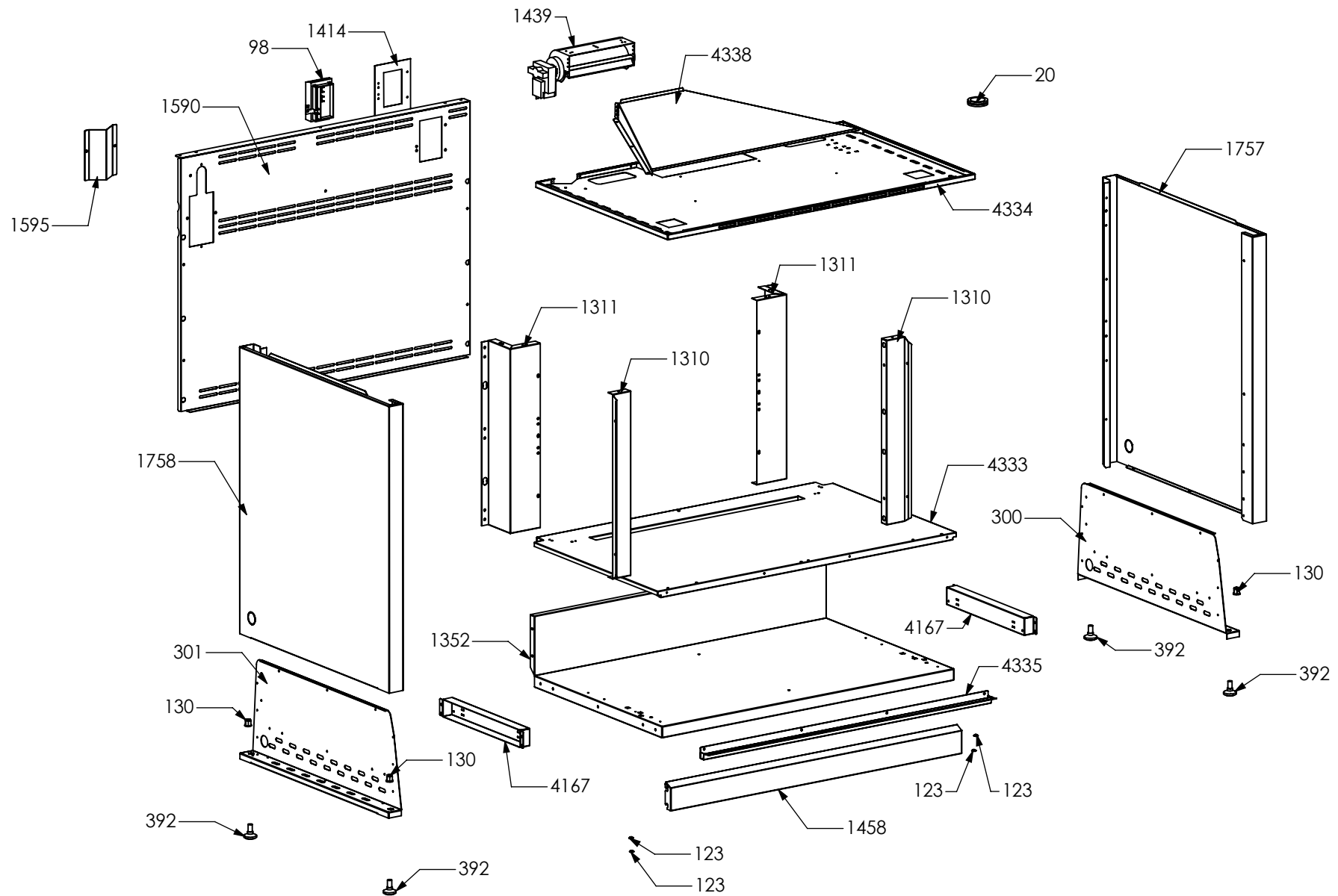


N° Object	Code	Description	Qty	N° Object	Code	Description	Qty
48	421323	Gas taps fixing bridle M60	2				
378	ZS0819	Under knob collars fixing support	2				
1567	ZS2923	Valved tap for auxiliary burner (bypass 0,27)	1				
2335	ZS4181	Thermocouple SBF L=750 TC	1				
2445	ZS4294	Knob 58 for gas burners MTG	2				
2543	601229	Spring fixing spark plug for triple ring P-4	1				
2544	ZS4186	Fixing nut for thermocouple burner 4.5	1				
2563	ZS0907	Fixing nut for themocouple	1				
2575	505241	Screw M4	2				
3550	ZS5841	Bezel for central internal burner knob 58, bright chromed	1				
3561	ZS5852	Bezel for central external burner knob 58, bright chromed	1				
3742	ZS4837	Pipe ramp for t.c. 4.5 external burner cooker	1				
3791	ZS6109	Valved tap for triple-ring burner	1				
5200	ZS8190	Mega Wok burner flame spreader BRASS	1				
5201	ZS8191	Wok burner spark plug sbf DCC M+G INT	1				
5202	ZS8192	Plate Mega Wok burner external	1				
5204	ZS8194	Gasket for wok burner	1				
5206	ZS8197	Mega Wok burner spark plug sbf DCC G EXT	1				
5207	ZS8198	Thermocouple SBF L=750 DCC	1				
5208	ZS8199	Support for thermocouple DCC	1				
5209	ZS8200	Screw M3.5x6	1				
5263	ZS8313	Plate central Wok burner	1				
5369	ZS8634	Spring fixing spark plug for Wok	1				
5370	ZS8635	Screw M4 wok burner	4				
5522	ZS8980	Gasket for Mega wok thermocouple support	1				
5826	ZS8820	Mega Wok burner body G25/25 0,68 1,37	1				
5915	ZA0256	Pipe ramp for t.c. 4.5 central burner cooker DCC 90/120	1				



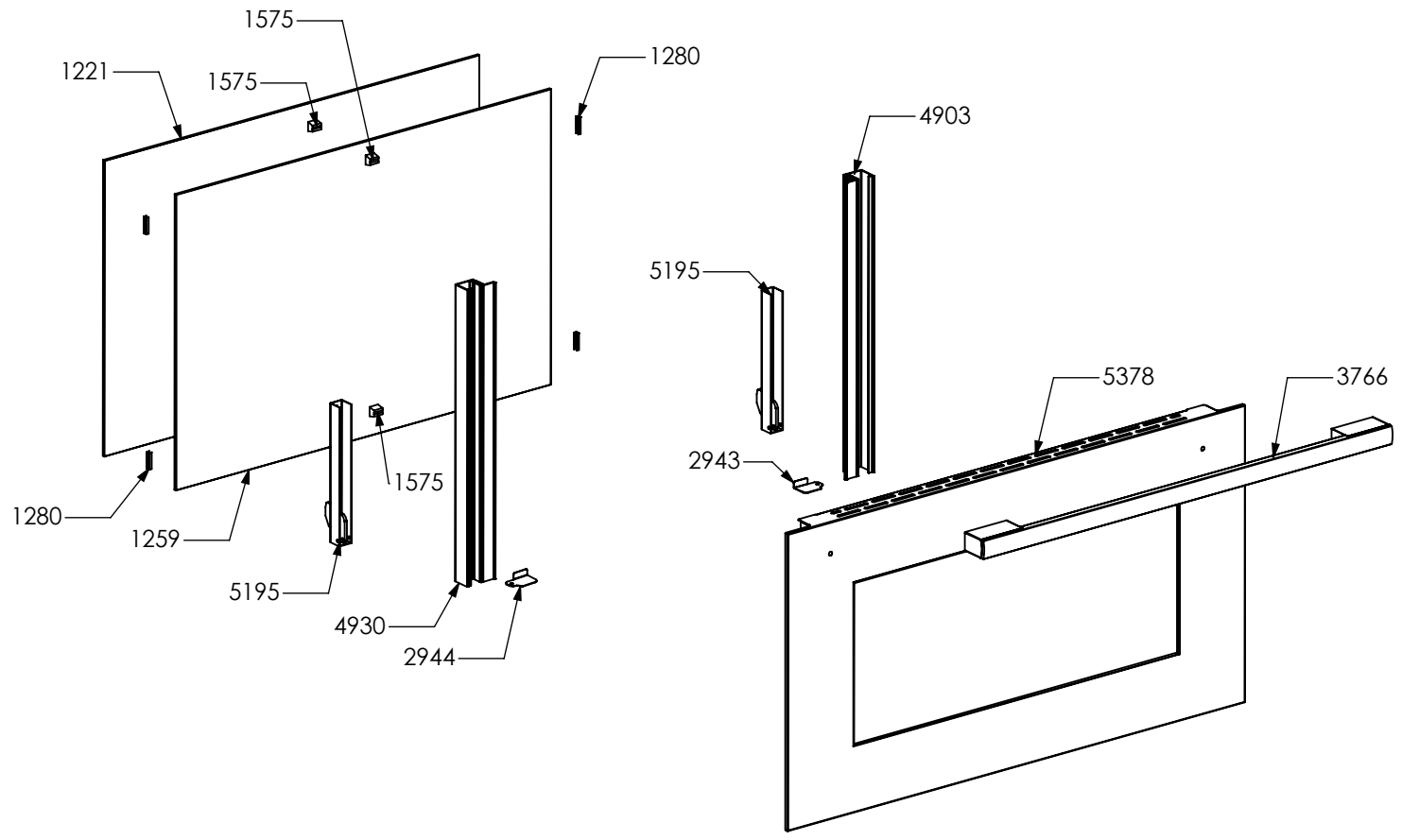
N° Object	Code	Description	Qty
94	481814	Commutator multif. for 90 built-in oven(no pizza)	1
371	ZS0802	Commutator support 2 positions	1
390	ZS0890	Spring for el. controls support	1
455	ZS1075	Oven thermostat	1
538	ZS1204	Led transparent	2
539	ZS1205	Fluorescent green warning light	1
708	ZS1916	Knob for timer steel-colour 988	6
740	ZS1747	Timer (blue led) 50 Hz	1
823	ZS1755	Fluorescent orange warning light	1
1588	ZS2889	Commutator oven functions 90 EGO	1
1895	ZS3652	Glass lcd 6 button no hole	1
2446	ZS4295	Knob 58 oven 60/90 functions MTG	1
3558	ZS5849	Bezel for main oven functions knob 58, bright chromed	1
3559	ZS5850	Bezel for oven temperature knob 58, bright chrome	1
5360	ZS8601	Knob 58 for oven temperature MTG	1
5521	ZS6139	Electrical display support	1



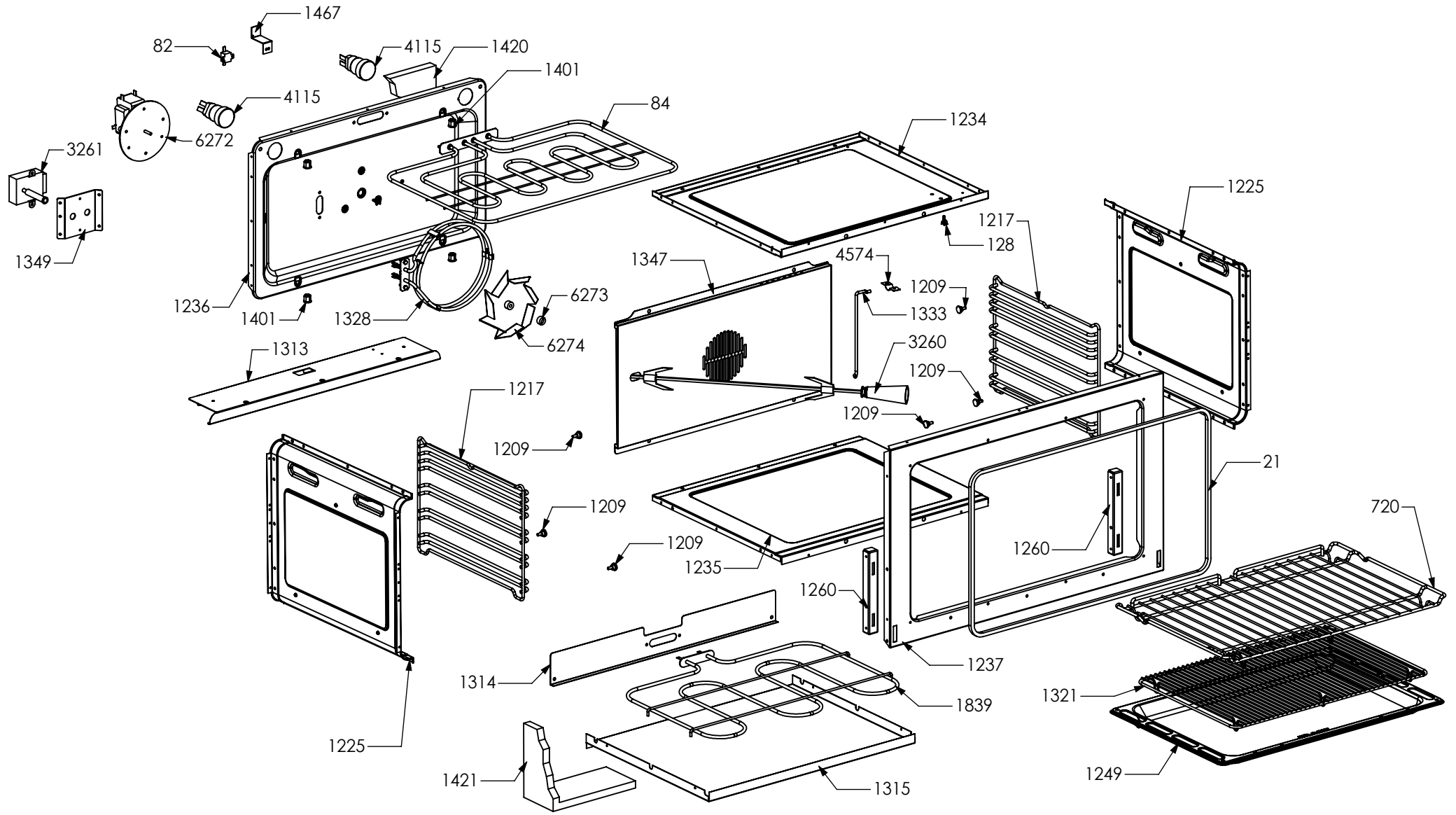


N° Object	Code	Description	Qty
20	401520	Black cap for glass front panel	1
98	481913	Terminal block for oven 32 PA 233	1
123	541011	Spacer washer for built-in oven	4
300	GR0591	Assembly complete lower reinforcement right side	1
130	601156	Tapping screw M10 galvanized	2
301	GR0592	Assembly complete lower reinforcement left side	1
130	601156	Tapping screw M10 galvanized	2
392	ZS0903	Sintesi black foot H.15	4
1310	ZS2464	Front support for muffle left/right side 90 04	2
1311	ZS2465	Rear support for muffle left/right side 90 04	2
1352	ZS2503	Lower guard for cooker 090 04	1
1414	ZS2601	Terminal board support	1
1439	ZS2663	Cooling fan L=180 Plaset (AU)	1
1458	ZS2425	Plinth for cooker 90	1
1590	ZS2933	Rear guard for cooker 90 04	1
1595	ZS2938	Ramp hole closing plate	1
1757	ZS3016	Complete lower right side panel	1
1758	ZS3018	Complete lower left side panel	1
4167	ZS6684	Spacer for drawer guide	2
4333	ZS6888	Upper guard for drawer 90	1
4334	ZS6889	Muffle fan guard cooker 90 cm	1
4335	ZS6890	Bracket condensate collection for 090 Steam	1
4338	ZS6907	Air conveyor for cooktop 090/120 SF	1

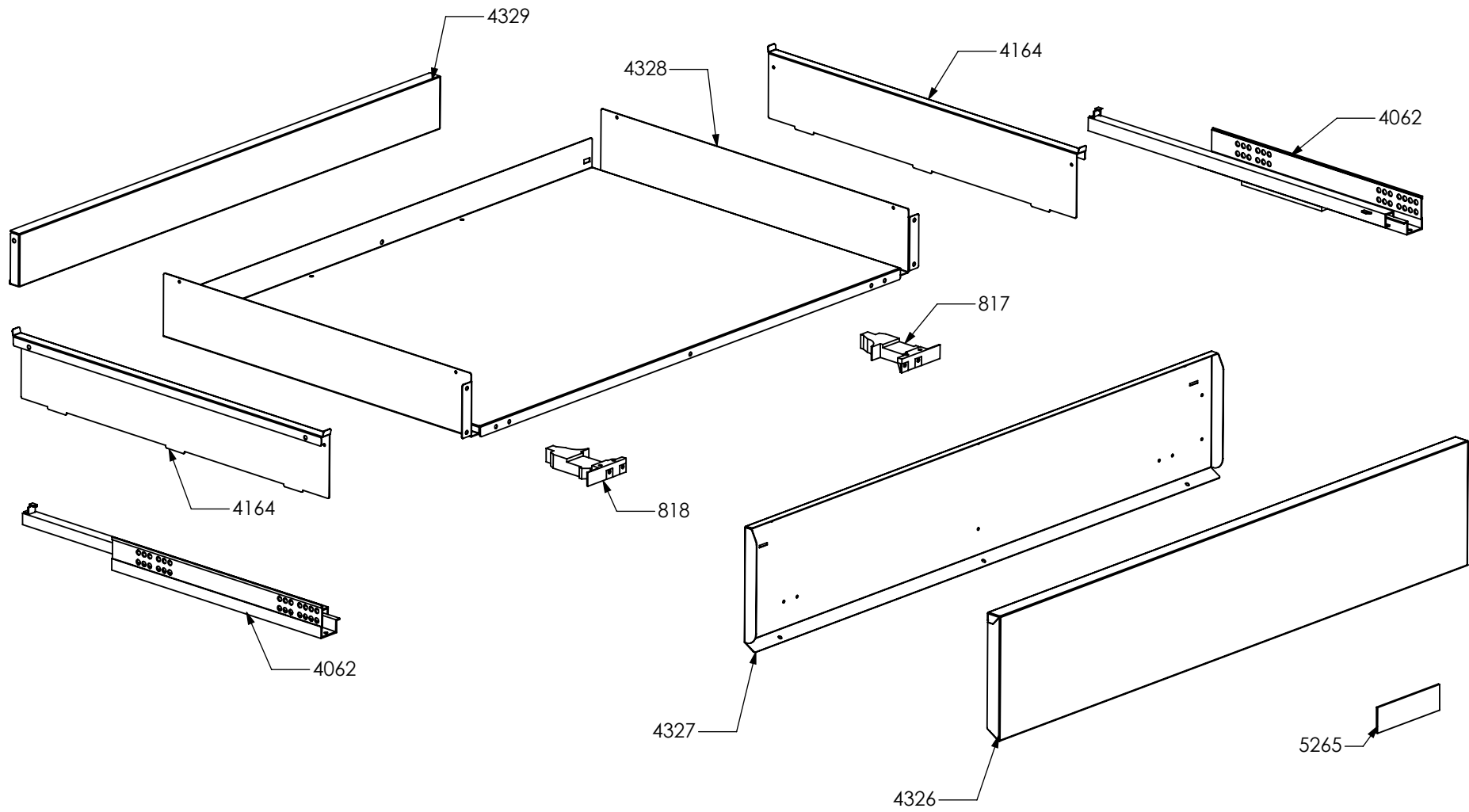
3198



N° Object	Code	Description	Qty
3198	GR5861	Assembly glued oven door 90	1
4903	GR7666	Assembly door 30/60/90 right bar profile 15	1
4930	GR8097	Assembly door 30/60/90 left bar profile 15	1
1221	ZS2307	Inner glass oven door 90	1
1259	ZS2394	In-between glass oven door 90 04	1
1280	ZS2419	Spring for door glass assembling 04	4
1575	ZS2931	Spacer between glasses	4
2943	ZS4746	Right support for inner glass	1
2944	ZS4747	Left support for inner glass	1
3766	ZS6091	Door oven handle for oven 90 Bsh	1
5195	ZS8180	Door hinge for oven 90	2
5378	ZS8659	Glued external oven door 90	1



N° Object	Code	Description	Qty	N° Object	Code	Description	Qty
21	401638	Gasket oven 90	1	3261	ZS5236	Turnspit motor reducer 50/60 Hz	1
82	481403	Thermoswitch 16 Ampere	1	4115	ZS6631	Complete Lamp-holder for oven (max 25 W)	2
84	481589	Grill heating element for oven 90	1	4574	ZS6005	Fixing support for turnspit motor oven 60/90	1
128	601152	Spring fixing feeler for built-in oven	2	6272	ZA0488	Circular tangential oven 90 fan without fan and nut	1
720	451200	Chromed wire grid for oven 90 AU	2	6273	ZA0489	Nut for circular tangential oven	1
1209	414559	Lateral frame support for built-in oven	6	6274	ZA0490	Fan for circular tangential oven	1
1217	ZS2283	Oven lateral frame 30/60/90	2				
1225	ZS2312	Side muffle oven 30/60/90 enamelled 04	2				
1234	ZS2330	Enamelled muffle ceiling oven 90	1				
1235	ZS2332	Enamelled muffle bottom for oven 90	1				
1236	GR2334	Assembly rear muffle oven 90 enamelled 04	1				
1401	ZS2585	Tapping screw M5 aluminium	4				
1237	ZS2336	Enamelled muffle front side oven 90	1				
1249	ZS2366	Enamelled drip tray for oven 90	1				
1260	ZS2395	Hinge support 06	2				
1313	ZS2467	Grill heating element support for muffle oven 90 enamelled 04	1				
1314	ZS2468	Lower heating elem.support oven 90 04	1				
1315	ZS2469	Lower heating element tray oven 90 04	1				
1321	ZS2490	Trivet for oven 90 04	1				
1328	482325	Circular heating element 230V-2500W	1				
1333	ZS2289	Support for grillrod 60/90	1				
1347	ZS2486	Fan cover for oven 90 with turnspit hole 04 BLACK	1				
1349	ZS2499	Fixing support for turnspit motor oven 60/90	1				
1420	ZS2625	White glass wool for rear side 90 oven	1				
1421	ZS2626	White glass wool for 90 oven 04	1				
1467	ZS2604	Support for safety thermostat 04	1				
1839	ZS3082	Lower heating element for oven 90 (1400 W)	1				
3260	ZS5175	Turnspit for oven 90 (4 forks + handle) - 04	1				



N° Object	Code	Description	Qty
817	ZS0458	Drawer right regulation clip	1
818	ZS0459	Drawer left regulation clip	1
4062	ZS6372	Couple legobox rails partial opening push pull	1
4164	ZS6681	Drawer lateral side for cooker S.Steel	2
4326	ZS6827	Drawer door cooker 090 SF s.steel	1
4327	ZS6828	Counterdoor drawer cooker 90 SF	1
4328	ZS6829	Bottom drawer for cooker 090 S.Steel	1
4329	ZS6830	Drawer rear side for cooker 090 S.Steel	1
5265	ZS8327	"Lancellotti" plate	1



N° Object	Code	Description	Qty
132	ZS5148	Adhesive tape 16,5 m x 19h (3M)	20
725	601108	Anti-overturning device	0,3
1210	ZS5149	Adhesive tape 33 mt x 17h mm x th 0,6 mm (3M 4930)	80
1586	ZS2770	Additional wiring generic L=75 cm Fem Fem	2
5337	ZS8524	Instruction booklet cooker Maestro Lancellotti Multilanguage	1