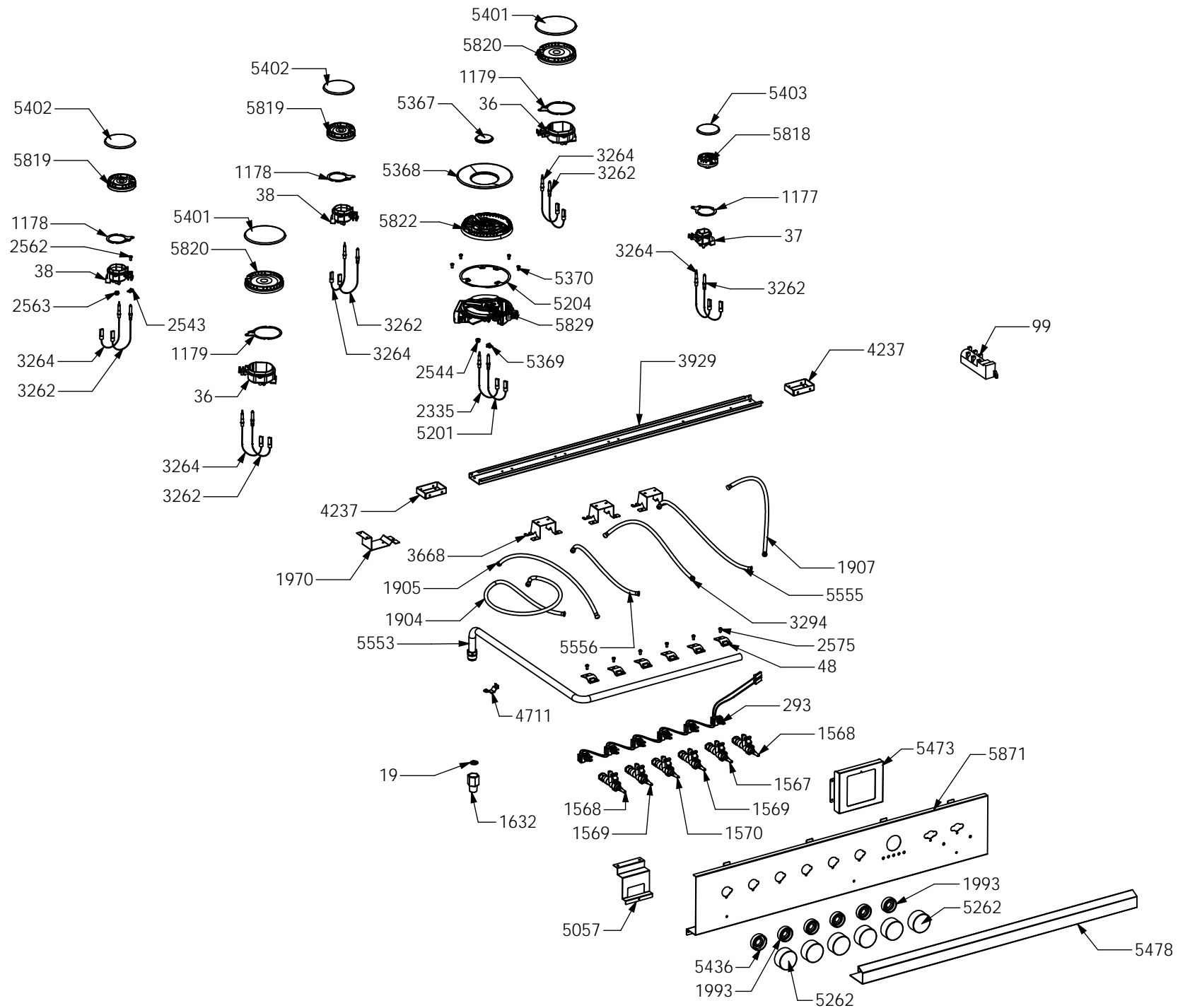
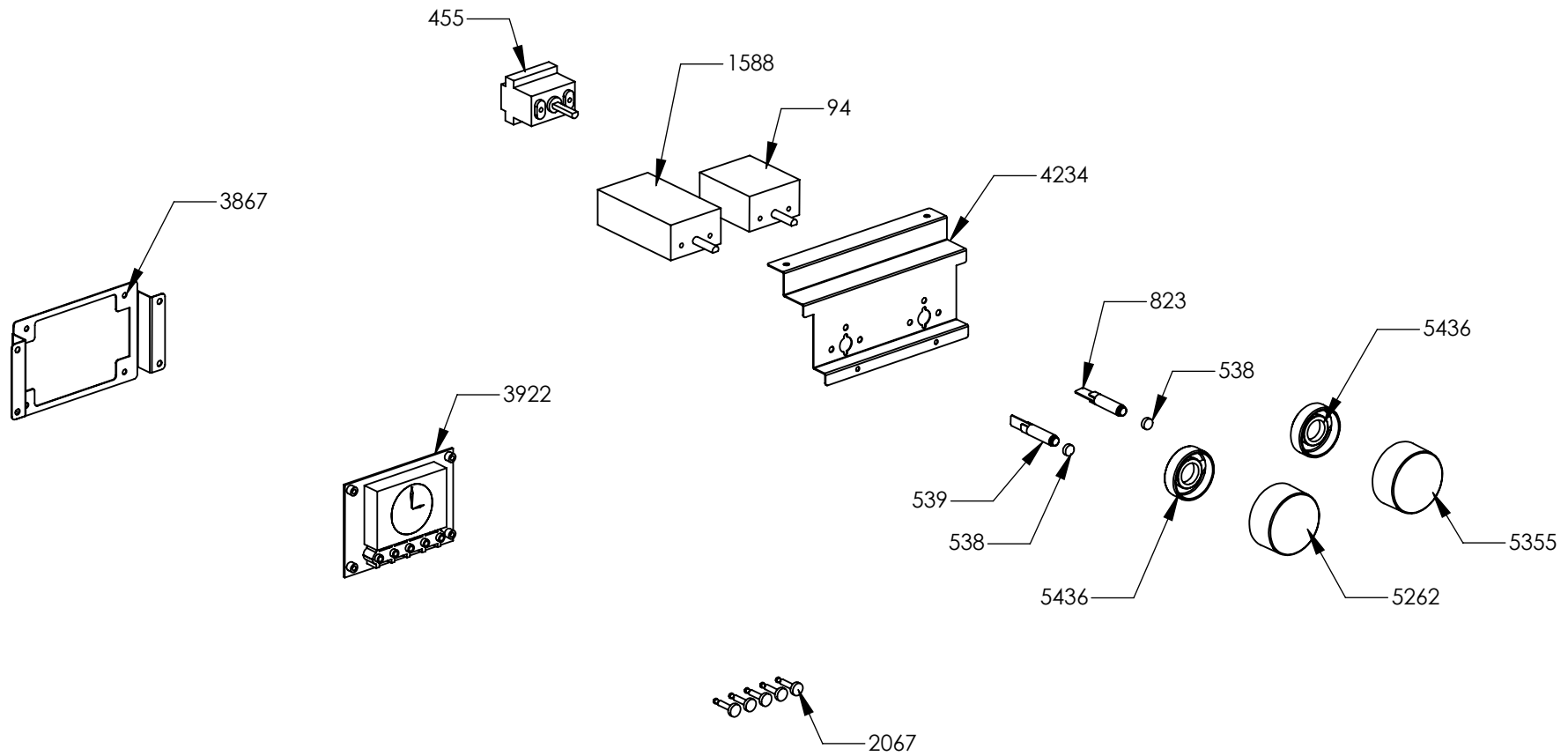


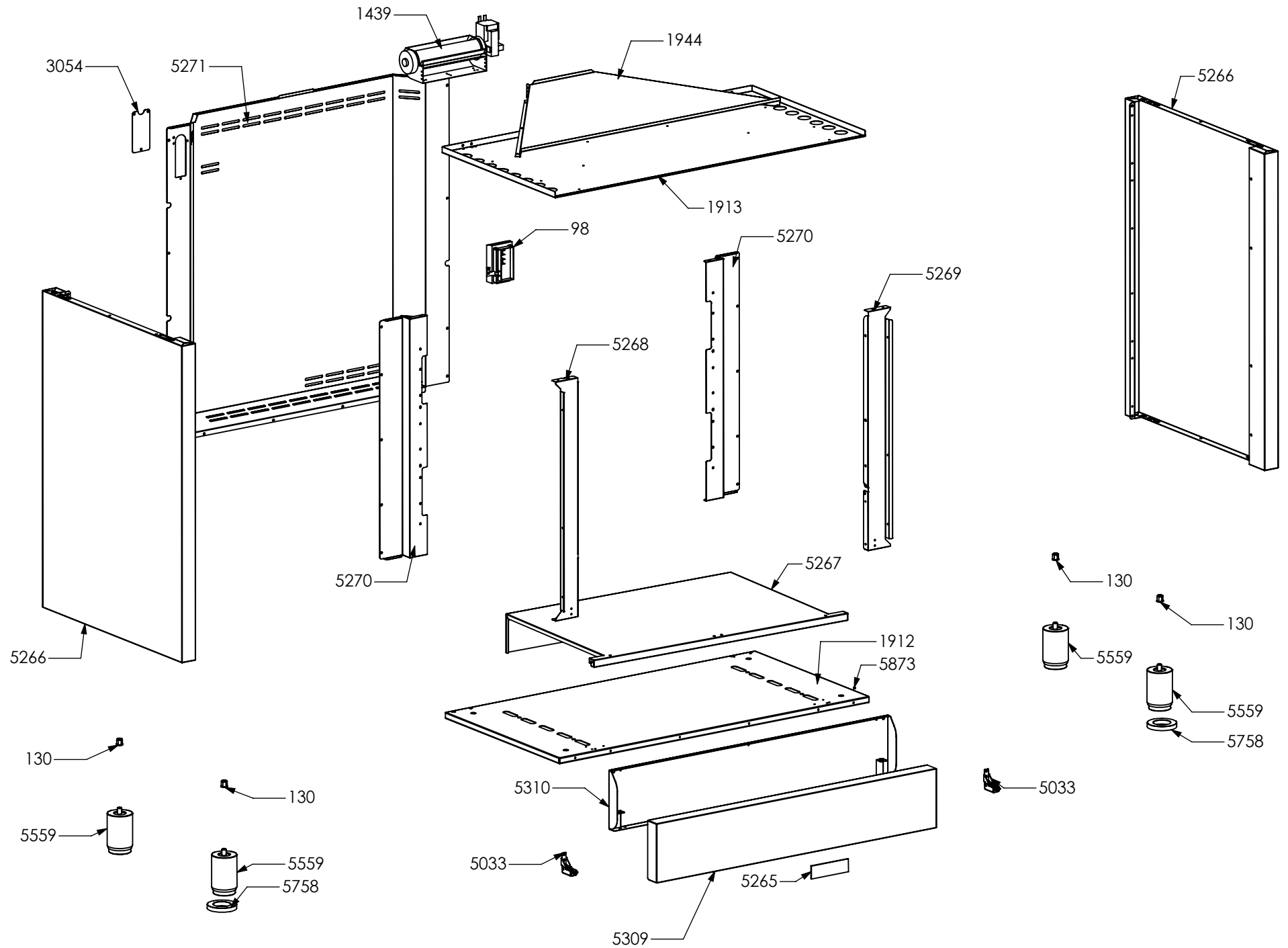
N° Object	Code	Description	Qty
731	ZS0565	Cast-iron grid for wok	1
1014	ZS2026	Thermostat TY60 N.O. fixing B	1
1901	ZS2700	Cast-iron grid 2 burners Prt / Drb	3
1957	ZS3495	Washer 4.3 x 10 x 3	4
1996	ZS3171	Blocking plate hob-side Party	2
5759	ZP0074	Complete spill tray cooker 90 6 burners DCC Prt/Drb	1



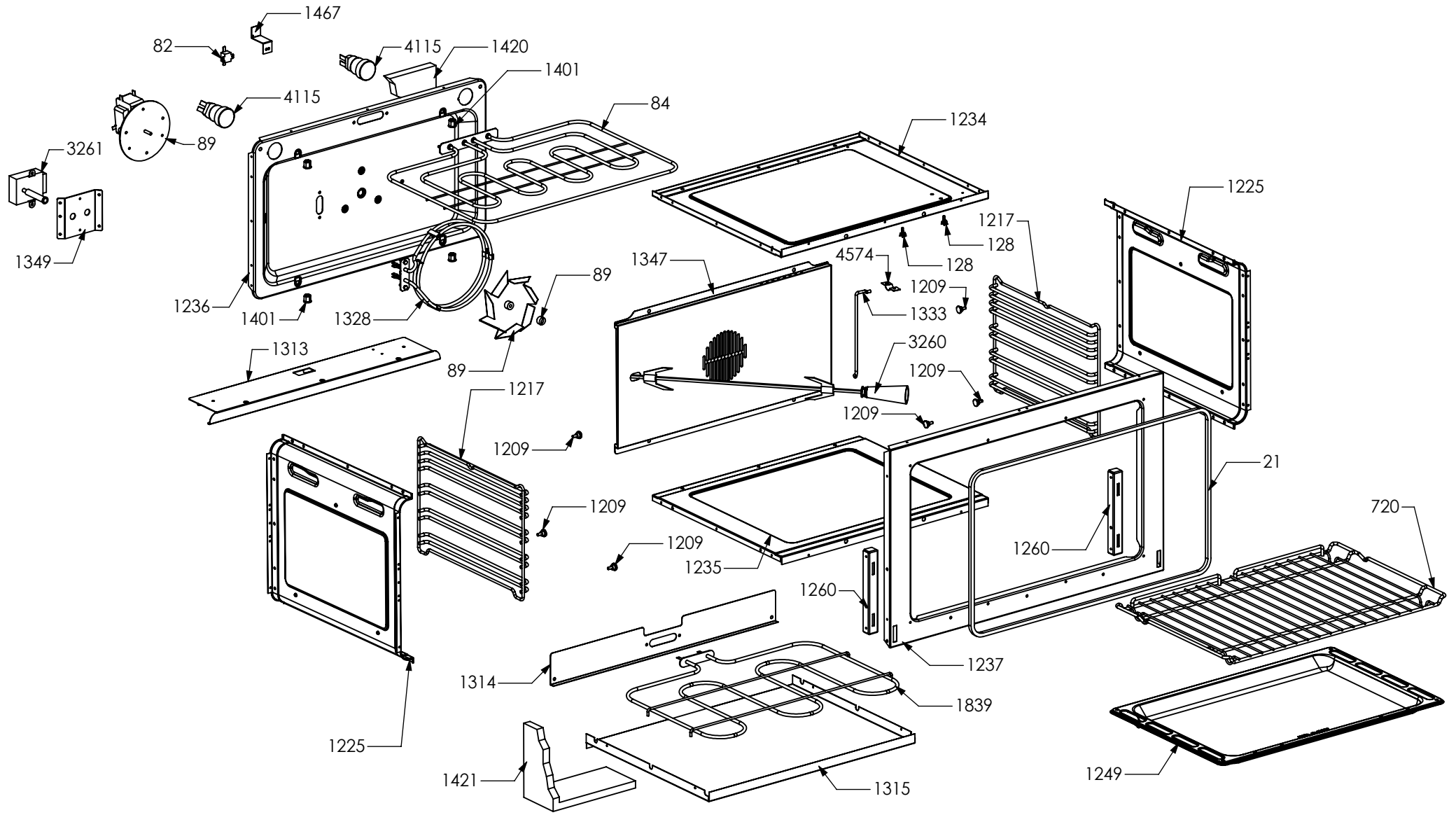
N° Object	Code	Description	Qty	N° Object	Code	Description	Qty
19	400689	Gasket gas inlet	1	3294	ZS5354	Pipe ramp for rear centre s-rap burner cooker 100 DC Prt/Drb	1
36	414157	Rapid burner body G25 1,21	2	3668	ZS5778	Ramp fixing support 90/100 Prt / Drb	3
37	414158	Auxiliary burner body G25 0,72	1	3929	ZS6284	Support bar taps ramp cooker 90	1
38	414159	Semi rapid burner body G25 0,94 (fish-kettle G20)	2	4237	ZS6695	Clamp for support bar taps ramp	2
48	421323	Gas taps fixing bridle M60	6	4711	ZS6772	Clamp support for main ramp	7
99	481918	Ignition system 6 flames	1	5057	ZS7833	Clamp support for control panel cooker Party	1
293	ZS0578	Micro catenary for 6 burners	1	5201	ZS8191	Wok burner spark plug sbf DCC M+G INT	1
1177	ZS2217	Gasket for auxiliary burner	1	5204	ZS8194	Gasket for wok burner	1
1178	ZS2218	Gasket for semi-rapid burner	2	5262	ZS8311	Neutral knob ADG	6
1179	ZS2219	Gasket for rapid burner	2	5367	ZS8632	Plate central Wok burner	1
1567	ZS2923	Valved tap for auxiliary burner (bypass 0,27)	1	5368	ZS8633	Plate Wok burner external	1
1568	ZS2924	Valved tap for rapid/fish-kettle burner	2	5369	ZS8634	Spring fixing spark plug for Wok	1
1569	ZS2925	Valved tap for semi-rapid burner	2	5370	ZS8635	Screw M4 wok burner	4
1570	ZS2926	Valved tap for triple-ring burner	1	5401	ZS8684	Plate rapid burner HE2	2
1632	ZS3021	Adapter female-male 1/2 BSP 04	1	5402	ZS8685	Plate semi-rapid burner HE2	2
1904	ZS2704	Pipe ramp for front left rapid burner cooker 90 Party	1	5403	ZS8686	Plate auxiliary burner HE2	1
1905	ZS2705	Pipe ramp for rear left semi-rapid burner cooker 90 Part	1	5436	ZS8802	Bezel cooker 196 xxl with hole	1
1907	ZS2707	Pipe ramp for rear right rapid burner cooker 90 Party	1	5478	ZS8276	Frontal bar profile cooker 90 polished	1
1970	ZS3656	Rear ramp fixing support cooker 90 Party	1	5553	ZA0041	Ramp 6 burners FE cooker 90 Prt/Drb	1
1993	405508	Bezel cooker 196 xxl	5	5555	ZA0050	Pipe ramp for front right auxiliary burner cooker 90 Prt/Drb	1
2335	ZS4181	Thermocouple SBF L=750 TC	1	5556	ZA0051	Pipe ramp for front central triple ring burner cooker 90 Prt/Drb	1
2543	601229	Spring fixing spark plug for triple ring P-4	5	5818	ZS8625	Auxiliary burner flame spreader HE2 ALU	1
2544	ZS4186	Fixing nut for thermocouple burner 4.5	1	5819	ZS8627	Semi-rapid burner flame spreader HE2 ALU	2
2562	506037	Screw M3x8 TC s.steel	10	5820	ZS8629	Rapid burner flame spreader HE2 ALU	2
2563	ZS0907	Fixing nut for themocouple	5	5822	ZS8639	Wok burner flame spreader ALU	1
2575	505241	Screw M4	6	5829	ZS8823	Wok burner body G25/25 1.35	1
3262	ZS5270	Burner spark plug Cast	5	5871	GP0108	Assembly control panel front 6 burners electric oven ADG 90 S.Steel serygr.	1
3264	ZS5272	Thermocouple Cast L=770	5	5473	ZS8278	Display support	1



N° Object	Code	Description	Qty
94	481814	Commutator multif. for 90 built-in oven(no pizza)	1
455	ZS1075	Oven thermostat	1
538	ZS1204	Led transparent	2
539	ZS1205	Fluorescent green warning light	1
823	ZS1755	Fluorescent orange warning light	1
1588	ZS2889	Commutator oven functions 90 EGO	1
2067	ZS3785	Knob for timer gray	5
3867	ZS6012	Electrical display support	1
3922	ZS6184	Timer (white led) LCD-ELA 1000	1
4234	ZS6612	Commutator support 2 positions	1
5262	ZS8311	Neutral knob ADG	1
5355	ZS8569	Neutral knob ADG with "L"	1
5436	ZS8802	Bezel cooker 196 xxl with hole	2



N° Object	Code	Description	Qty
98	481913	Terminal board for oven 32 PA 233	1
1439	ZS2663	Cooling fan L=180 Plaset (AU)	1
1913	ZS2718	Muffle fan guard cooker 90 cm Prt / Drb	1
1944	ZS2719	Air conveyor for cooktop 090/100 Prb/Drb	1
3054	ZS5128	Ramp hole closing plate	1
5033	ZS7657	Door hinge for drawer door	2
5265	ZS8327	"Lancellotti" plate	1
5266	ZS8337	Side external right/left lower ADG S.STEEL	2
5267	ZS8339	Upper guard for drawer 90	1
5268	ZS8340	Front support for muffle left side cooker 90ADG	1
5269	ZS8341	Front support for muffle right side cooker 90	1
5270	ZS8342	Rear support for muffle left/right side cooker 90	2
5271	ZS8343	Rear guard for cooker 90 ADG	1
5309	ZS8457	Drawer door cooker 90 ADG s.steel	1
5310	ZS8458	Counterdoor drawer cooker 90 ADG	1
5559	ZA0059	Adjustable feet H100/145 inox ADG	4
5758	ZP0073	Ring for feet	2
5873	GR2717	Assembly complete lower reinforcement 90	1
130	601156	Tapping screw M10 galvanized	4
1912	ZS2717	Lower guard for cooker 090 Party	1



N° Object	Code	Description	Qty	N° Object	Code	Description	Qty
21	401638	Gasket oven 90	1	3261	ZS5236	Turnspit motor reducer 50/60 Hz	1
82	481403	Thermoswitch 16 Ampere	1	4115	ZS6631	Complete Lamp-holder for oven (max 25 W)	2
84	481589	Grill heating element for oven 90	1	4574	ZS6005	Fixing support for turnspit motor oven 60/90	1
89	481727	Circular tangential oven 90 fan (AU) with fan and nut	1				
128	601152	Spring fixing feeler for built-in oven	2				
720	451200	Chromed wire grid for oven 90 AU	1				
1209	414559	Lateral frame support for built-in oven	6				
1217	ZS2283	Oven lateral frame 30/60/90	2				
1225	ZS2312	Side muffle oven 30/60/90 enamelled 04	2				
1234	ZS2330	Enamelled muffle ceiling oven 90	1				
1235	ZS2332	Enamelled muffle bottom for oven 90	1				
1236	GR2334	Assembly rear muffle oven 90 enamelled 04	1				
1401	ZS2585	Tapping screw M5 aluminium	4				
1237	ZS2336	Enamelled muffle front side oven 90	1				
1249	ZS2366	Enamelled drip tray for oven 90	1				
1260	ZS2395	Hinge support 06	2				
1313	ZS2467	Grill heating element support for muffle oven 90 enamelled 04	1				
1314	ZS2468	Lower heating elem.support oven 90 04	1				
1315	ZS2469	Lower heating element tray oven 90 04	1				
1328	482325	Circular heating element 230V-2500W	1				
1333	ZS2289	Support for grillrod 60/90	1				
1347	ZS2486	Fan cover for oven 90 with turnspit hole 04 BLACK	1				
1349	ZS2499	Fixing support for turnspit motor oven 60/90	1				
1420	ZS2625	White glass wool for rear side 90 oven	1				
1421	ZS2626	White glass wool for 90 oven 04	1				
1467	ZS2604	Support for safety thermostat 04	1				
1839	ZS3082	Lower heating element for oven 90 (1400 W)	1				
3260	ZS5175	Turnspit for oven 90 (4 forks + handle) - 04	1				

4954

1221

4903

5378

5358

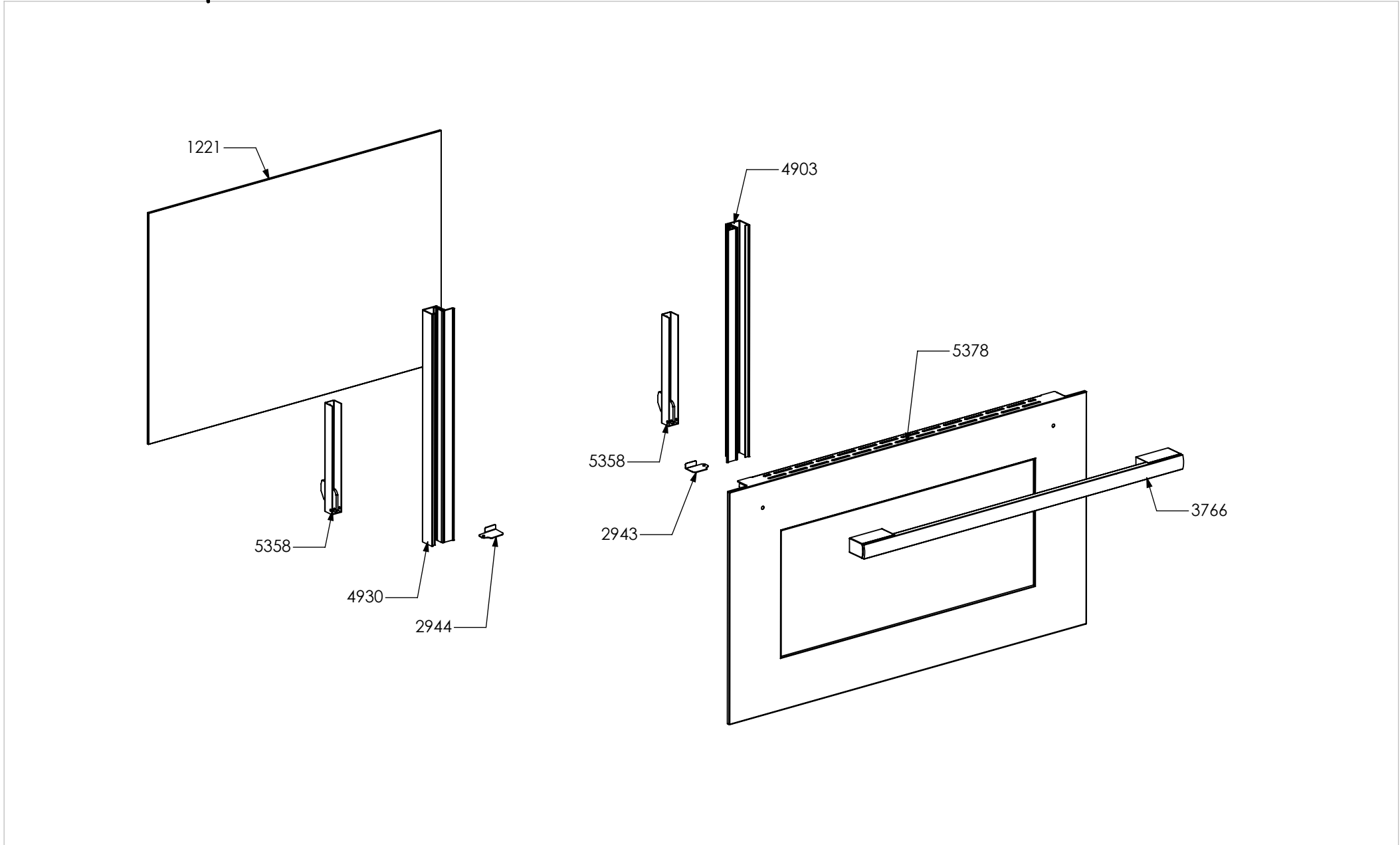
5358

2943

4930

2944

3766



N° Object	Code	Description	Qty
4954	GR8478	Assembly glued oven door 90 Adg	1
4903	GR7666	Assembly door 30/60/90 right bar profile 15	1
4930	GR8097	Assembly door 30/60/90 left bar profile 15	1
1221	ZS2307	Inner glass oven door 90	1
2943	ZS4746	Right support for inner glass	1
2944	ZS4747	Left support for inner glass	1
3766	ZS6091	Door oven handle for oven 90 Bsh	1
5358	ZS8596	Door hinge for oven 90	2
5378	ZS8659	Glued external oven door 90	1

N° Object	Code	Description	Qty
725	601108	Anti-overturning device	0,3
1210	ZS5149	Adhesive tape 33 mt x 17h mm x th 0,6 mm (3M 4930)	200
1586	ZS2770	Additional wiring generic L=75 cm Fem Fem	2
1922	ZS3395	Wiring diagram for cooker P9F-5	1
4642	ZS5540	Knob spring thickness 1,1 total coils 4 - 3/4	8
5336	ZS8523	Instruction booklet cooker Adagio Lancellotti Multilanguage	1
5939	ZS0957	Spacer between knob and tap	6