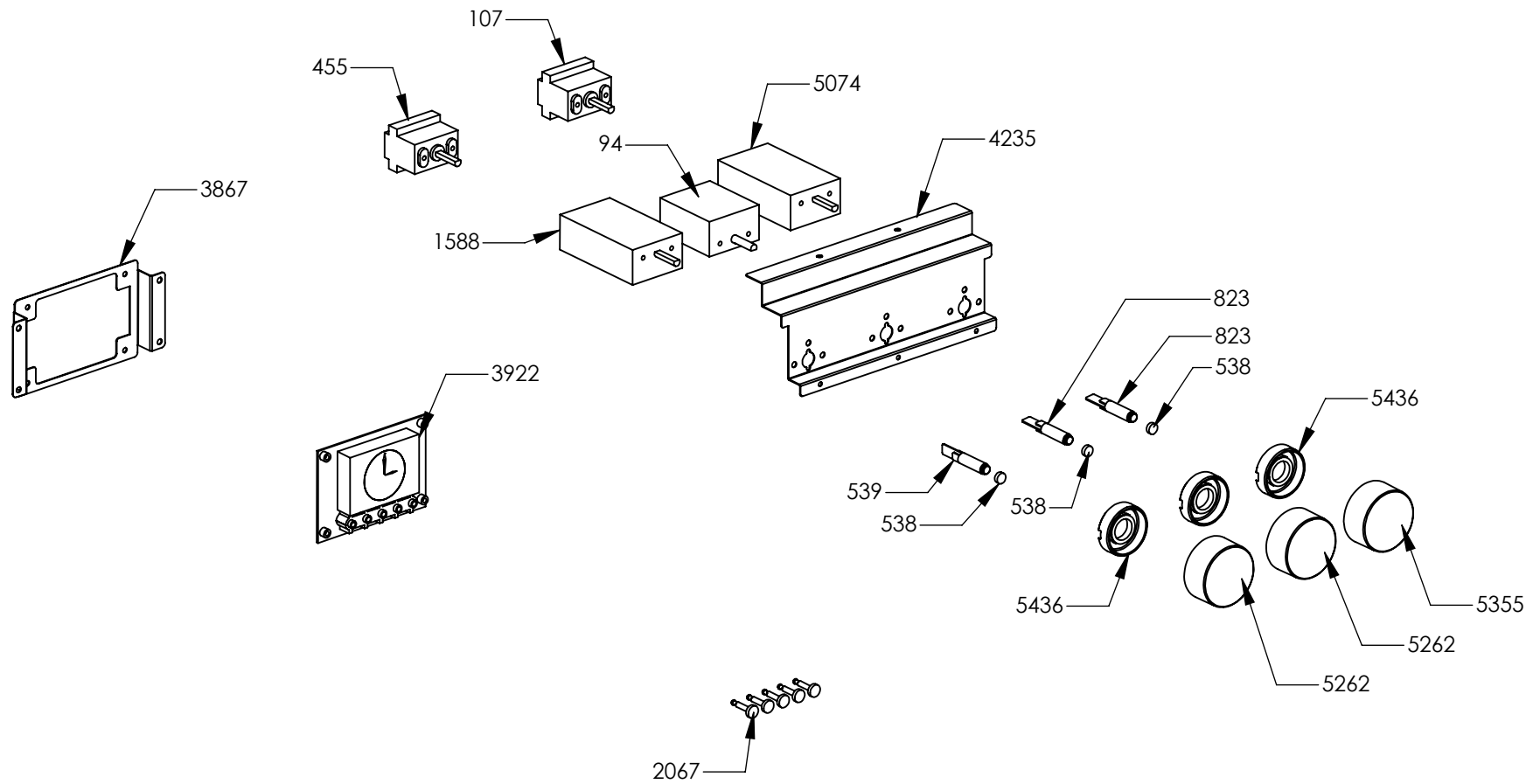
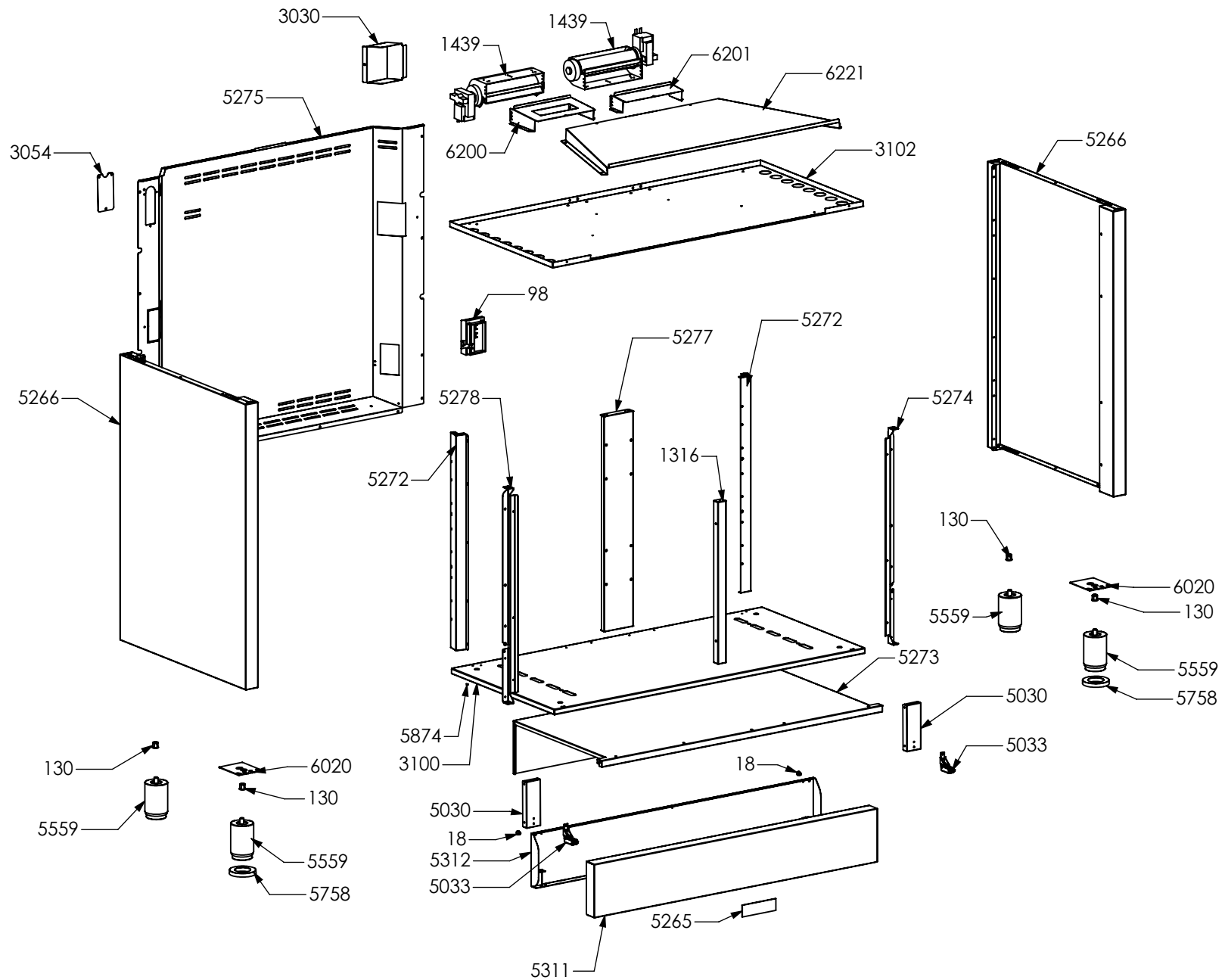


N° Object	Code	Description	Qty
129	601154	Timer	1
1014	ZS2026	Thermostat TY60 N.O. fixing B	2
1441	ZS2665	Support for fan timelag device	1
1957	ZS3495	Washer 4.3 x 10 x 3	4
1996	ZS3171	Blocking plate hob-side Party	2
3717	ZS6026	Switch for induction encoder	5
4210	ZS5377	Energy regulator for induction 230 V EGO EU	5
4235	ZS6613	Commutator support 3 positions	2
4266	ZS6787	Encoders control board	1
5262	ZS8311	Neutral knob ADG	6
5436	ZS8802	Bezel cooker 196 xxl with hole	6
5479	ZS8364	Frontal bar profile cooker 100 DC polished	1
5753	ZP0068	Thickness for profile	2
5783	ZS6817	Feet for electronic components EGO	3
5784	ZS6904	Cover for induction terminal board	1
5785	ZS6905	Bridge for induction terminal board	1
6071	ZA0469	Induction 5 element OCTA EGO 75.08016.610	1
6100	GP0210	Assembly cooktop cooker 100 double oven induction Prt/Drb	1
6070	ZA0468	Glass for 100 induction hob or cooker	1
6178	ZP0239	Clamp support for induction 90/100 Party lateral	2
6181	ZP0244	Support bar for induction element front cooker 100	1
6182	ZP0245	Support bar for induction element rear cooker 100	1
6290	ZP0238	Clamp for support bar induction	4
6317	GP0228	Assembly control panel front 5FI zone induct ADG 100 S.Steel serygr.	1
5473	ZS8278	Display support	1
6358	ZP0500	Support for electronic control induction element	1

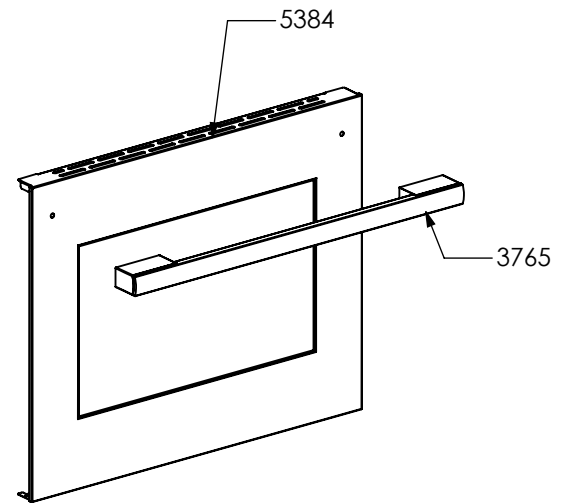
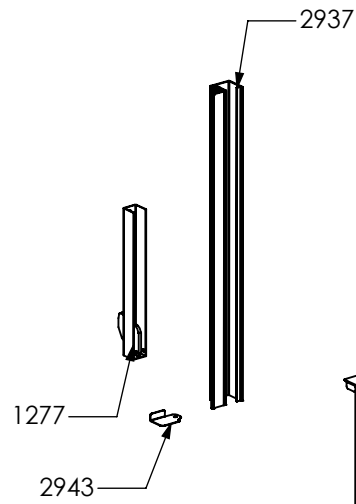
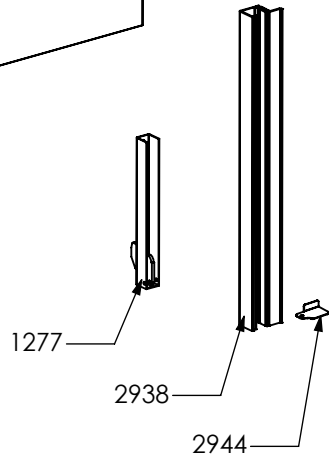
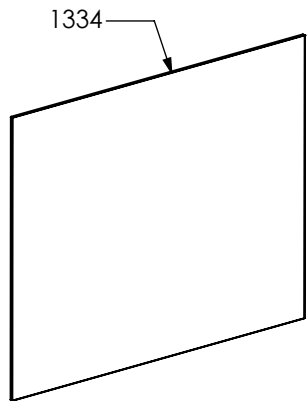


N° Object	Code	Description	Qty
94	481814	Commutator multif. for 90 built-in oven(no pizza)	1
107	482120	Thermostat cooker 192	1
455	ZS1075	Oven thermostat	1
538	ZS1204	Led transparent	3
539	ZS1205	Fluorescent green warning light	1
823	ZS1755	Fluorescent orange warning light	2
1588	ZS2889	Commutator oven functions 90 EGO	1
2067	ZS3785	Knob for timer gray	5
3867	ZS6012	Electrical display support	1
3922	ZS6184	Timer (white led) LCD-ELA 1000	1
4235	ZS6613	Commutator support 3 positions	1
5074	ZS7893	Commutator oven functions 060 R	1
5262	ZS8311	Neutral knob ADG	2
5355	ZS8569	Neutral knob ADG with "L"	1
5436	ZS8802	Bezel cooker 196 xxl with hole	3

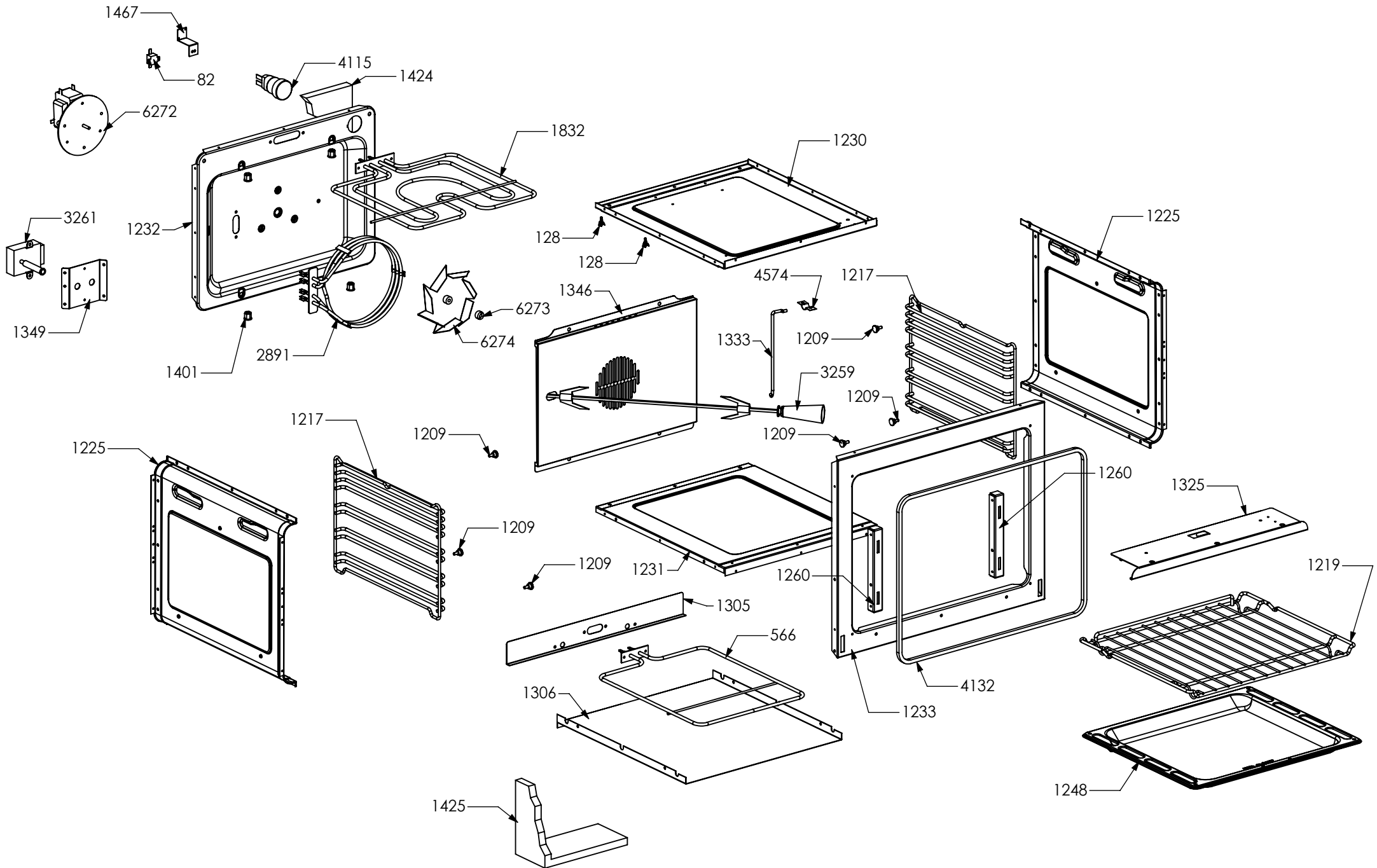


N° Object	Code	Description	Qty	N° Object	Code	Description	Qty
18	400006	Protection door	2				
98	481913	Terminal block for oven 32 PA 233	1				
1316	ZS2474	Front central muffle support cooker 100/120 double oven	1				
1439	ZS2663	Cooling fan L=180 Plaset (AU)	2				
3030	ZS3312	Blocking plate hob-side Prt/Drb	2				
3054	ZS5128	Ramp hole closing plate	1				
3102	ZS2749	Muffle fan guard cooker 100 double oven Prt / Drb	1				
5030	ZS7491	Hinge support 100 DC Prt/Drb	2				
5033	ZS7657	Door hinge for drawer door	2				
5265	ZS8327	"Lancellotti" plate	1				
5266	ZS8337	Side external right/left lower ADG S.STEEL	2				
5272	ZS8346	Rear support for muffle left/right side cooker 100 double oven	2				
5273	ZS8347	Upper guard for drawer 100	1				
5274	ZS8348	Front support for muffle Right side 100 double oven cooker	1				
5275	ZS8349	Rear guard for cooker 100 double oven ADG	1				
5277	ZS8361	Rear central support for muffle cooker 100 double oven ADG	1				
5278	ZS8362	Front support for muffle Left side 100 double oven cooker	1				
5311	ZS8459	Drawer door cooker 100 ADG s.steel	1				
5312	ZS8460	Counterdoor drawer cooker 100 DC ADG	1				
5559	ZA0059	Adjustable feet H100/145 inox ADG	4				
5758	ZP0073	Ring for feet	2				
5874	GR2746	Assembly complete lower reinforcement 100	1				
130	601156	Tapping screw M10 galvanized	6				
3100	ZS2746	Lower guard for cooker 100 double oven Party	1				
6020	ZP0309	Feet adapter	2				
6200	ZP0349	Air conveyor for cooktop SX	1				
6201	ZP0350	Air conveyor for cooktop DX	1				
6221	ZP0439	Air conveyor for cooktop 100 double oven Prt/Drb	1				

4981



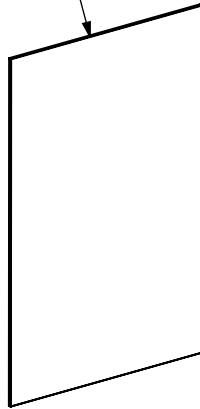
N° Object	Code	Description	Qty
4981	GR8658	Assembly glued oven door 60/100 DC Adg	1
2937	GR4313	Assembly door 30/60/90 right bar profile 07	1
2938	GR4314	Assembly door 30/60/90 left bar profile 07	1
1334	ZS2308	Inner glass oven door 60	1
1277	ZS2414	Door hinge for oven 60 G	2
2943	ZS4746	Right support for inner glass	1
2944	ZS4747	Left support for inner glass	1
3765	ZS6090	Door oven handle for oven 60 BOSCH	1
5384	ZS8665	Glued external oven door 60/100 double oven	1



N° Object	Code	Description	Qty	N° Object	Code	Description	Qty
82	481403	Thermoswitch 16 Ampere	1	4132	ZS6541	Gasket oven 60 H=8.9 mat HT	1
128	601152	Spring fixing feeler for built-in oven	2	4574	ZS6005	Fixing support for turnspit motor oven 60/90	1
566	ZS7590	Lower heating element for oven 60 (1200W/230V)	1	6272	ZA0488	Circular tangential oven 90 fan without fan and nut	1
1209	414559	Lateral frame support for built-in oven	6	6273	ZA0489	Nut for circular tangential oven	1
1217	ZS2283	Oven lateral frame 30/60/90	2	6274	ZA0490	Fan for circular tangential oven	1
1219	ZS2286	Chromed wire grid for oven 60	1				
1225	ZS2312	Side muffle oven 30/60/90 enamelled 04 black	2				
1230	ZS2322	Enamelled muffle ceiling oven 60 black	1				
1231	ZS2324	Enamelled muffle bottom for oven 60	1				
1232	GR2326	Assembly rear muffle oven 60 enamelled 04 black	1				
1401	ZS2585	Tapping screw M5 aluminium	4				
1233	ZS2328	Enamelled muffle front side oven 60 black	1				
1248	ZS2364	Enamelled drip tray for oven 60 black	1				
1260	ZS2395	Hinge support 06	2				
1305	ZS2456	Lower heating elem.support oven 60 double oven 04	1				
1306	ZS2459	Lower heating element tray oven 60 04	1				
1325	ZS2496	Grill heating element support for muffle oven 60 enamelled 04 black	1				
1333	ZS2289	Support for grillrod 60/90	1				
1346	ZS2484	Fan cover for oven 60 with turnspit hole black	1				
1349	ZS2499	Fixing support for turnspit motor oven 60/90	1				
1424	ZS2629	White glass wool for rear side 60 oven 04	1				
1425	ZS2632	White glass wool for 60 oven 04	1				
1467	ZS2604	Support for safety thermostat 04	1				
1832	482094	Grill heating element for oven 60 (1900+850W)	1				
2891	482589	Circular heating element 230V-2100W	1				
3259	ZS5174	Turnspit for oven 60 (4 forks + handle) - 04	1				
3261	ZS5236	Turnspit motor reducer 50/60 Hz	1				
4115	ZS6631	Complete Lamp-holder for oven (max 25 W)	1				

4980

1224



2937



1276



1276

2938

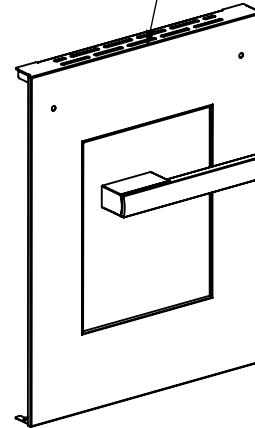
2944



2943



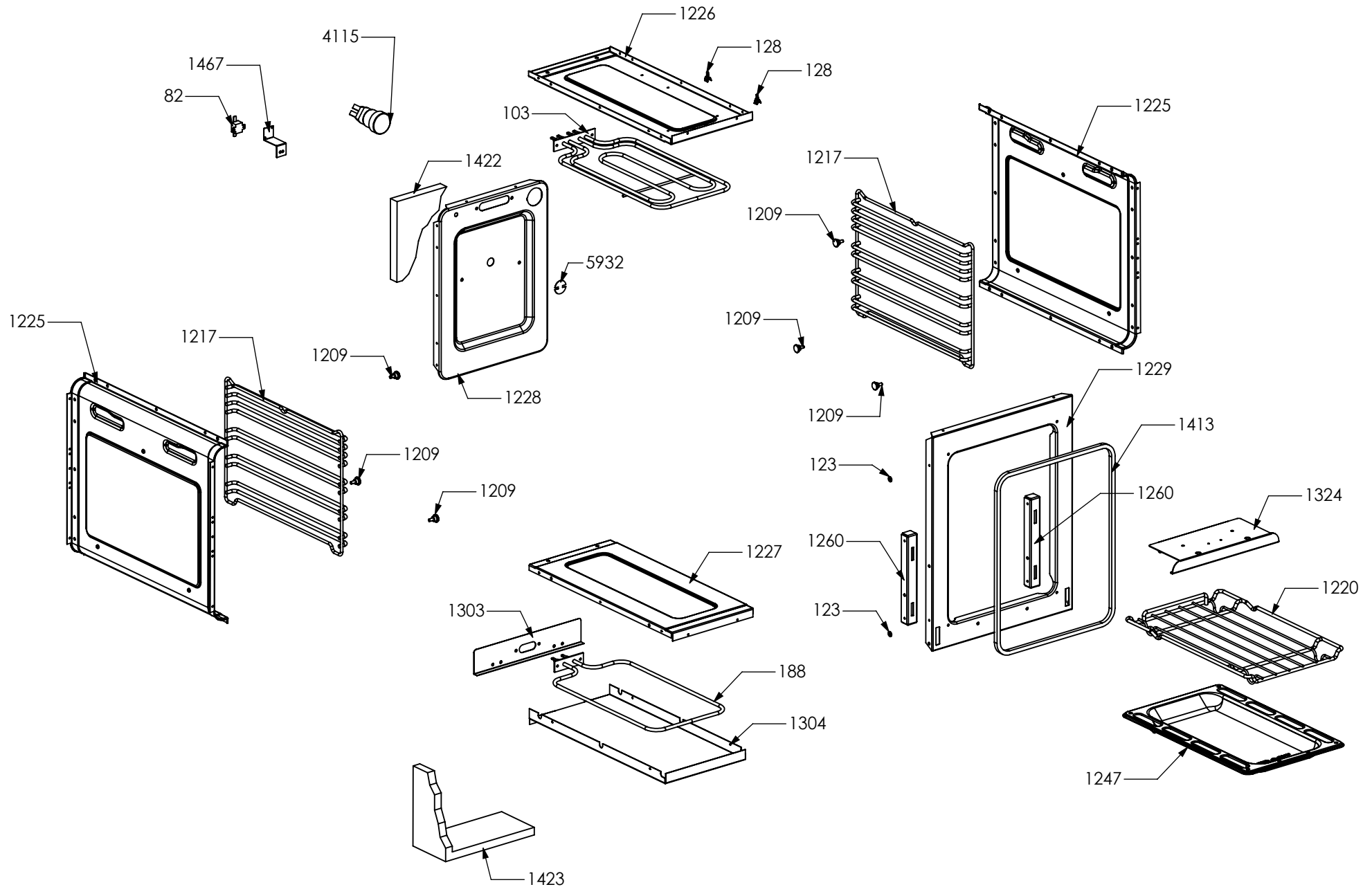
5390



3764



N° Object	Code	Description	Qty
4980	GR8657	Assembly glued oven door 30 Adg	1
2937	GR4313	Assembly door 30/60/90 right bar profile 07	1
2938	GR4314	Assembly door 30/60/90 left bar profile 07	1
1224	ZS2311	Inner glass oven door 30	1
1276	ZS2413	Door hinge for oven 30	2
2943	ZS4746	Right support for inner glass	1
2944	ZS4747	Left support for inner glass	1
3764	ZS6089	Door oven handle for oven 30 BOSCH	1
5390	ZS8672	Glued external oven door 30 KL	1



N° Object	Code	Description	Qty
82	481403	Thermoswitch 16 Ampere	1
103	482072	Upper heating element cooker	1
123	541011	Spacer washer for built-in oven	2
128	601152	Spring fixing feeler for built-in oven	2
188	ZS7653	Lower heating element for oven 30	1
1209	414559	Lateral frame support for built-in oven	6
1217	ZS2283	Oven lateral frame 30/60/90	2
1220	ZS2287	Chromed wire grid for oven 30	1
1225	ZS2312	Side muffle oven 30/60/90 enamelled 04 black	2
1226	ZS2314	Enamelled muffle ceiling oven 30 black	1
1227	ZS2316	Enamelled muffle bottom for oven 30	1
1228	ZS2318	Muffle rear side oven 30 enamelled 04 black	1
1229	ZS2320	Enamelled muffle front side oven 30 black	1
1247	ZS2362	Enamelled drip tray for oven 30 black	1
1260	ZS2395	Hinge support 06	2
1303	ZS2454	Lower heating elem.support oven 30 04	1
1304	ZS2455	Lower heating element tray oven 30 04	1
1324	ZS2494	Grill heating element support for muffle oven 30 enamelled 04 black	1
1413	ZS2599	Gasket oven 30 04	1
1422	ZS2627	White glass wool for rear side 30 oven 04	1
1423	ZS2628	White glass wool for 30 oven 04	1
1467	ZS2604	Support for safety thermostat 04	1
4115	ZS6631	Complete Lamp-holder for oven (max 25 W)	1
5932	ZP0119	Turnspit hole cap	1

N° Object	Code	Description	Qty
131	BS0296	Adhesive tape 4959	600
132	ZS5148	Adhesive tape 16,5 m x 19h (3M)	120
711	ZS1929	Faston	1
725	601108	Anti-overturning device	0,3
1210	ZS5149	Adhesive tape 33 mt x 17h mm x th 0,6 mm (3M 4930)	200
1329	ZS5150	Adhesive tape 33 mt x 25h mm x Th 1.55 mm (3M)	10000
1586	ZS2770	Additional wiring generic L=75 cm Fem Fem	2
4642	ZS5540	Knob spring thickness 1,1 total coils 4 - 3/4	9
5336	ZS8523	Instruction booklet cooker Adagio Lancellotti Multilanguage	1
6119	ZA0638	Wiring diagram for cooker D10FF-6I 2T Drb	1